

PATRIOT DUSK TO DAWN (PT-MDD05)

PRODUCT DESCRIPTION

The MDD05 Series luminaires offer traditional Dusk to Dawn features with softened edges for a versatile look that complements many applications. High-performance, energy efficient solution for local, collector and major roadways, the series uses breakthrough LEDs and precision-engineered optics to provide exceptional illumination while also saving energy.



PRODUCT FEATURES

- Initial Delivered Lumens: 6,150~12,200lm.
- CRI: ≥ 70
- Replaces up to 250W MH.
- CCT: Optioal 4000K and 5000K.
- Input Voltage: 120-277V.
- Power Factor: ≥ 0.9.
- Total Harmonic Distortion: ≤20%.
- Operating Temperature Range: -40°C - + 40°C (-40°F - + 104°F).
- Durable, die-cast aluminum housing silver gray polyester powder-coat finish.
- Mounting: Mounts directly to wall surface or to pole with mounting arm (accessory sold separately).
- Photocell included.
- DesignLights Consortium™ Qualified.
- UL cUL wet location listed.
- BAA Compliant upon request.
- Long life LEDs lasting up to 100,000 hours.
- Limited Warranty: 5 year (10yrs optional).



ORDERING MODEL

Example: PT-MDD05 45W 27V XXK YYY

Fixture Type	Wattage	Voltage	CCT	Finish	Photocell	Internal Code
PT-MDD05	45 = 45W 62 = 62W 90 = 90W	27V = 120-277V	40K = 4000K 50K = 5000K	SG = Silver Gray D = Dark Bronze B = Black W = White	P0 With 120-277V Photocell	Blank Alphanumeric

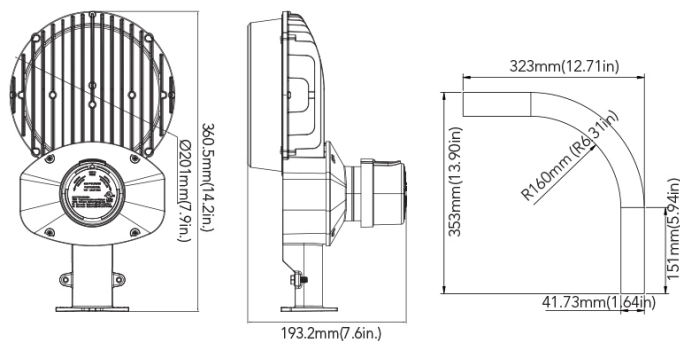
ELECTRICAL DATA

Number Of Drivers	Driver Current (mA)	Nominal Power (W)	INPUT VOLTAGE (V)	CURRENT (Amps)
1	1100	45W	120	0.38
			208	0.22
			240	0.19
			277	0.16
1	1630	65W	120	0.54
			208	0.31
			240	0.27
			277	0.23
1	2270	90W	120	0.75
			208	0.43
			240	0.38
			277	0.32

PRODUCT SPECIFICATION

SYSTEM WATTS	BAA Compliant	VOLTAGE	CRI	LUMENS (4000K)	LPW (4000K)	LUMENS (5000K)	LPW (5000K)
45W	Upon request	120-277VAC	70	6150lm	137 lm/W	6200lm	138 lm/W
65W	Upon request			8650lm	133 lm/W	8800lm	135 lm/W
90W	Upon request			12200lm	136 lm/W	12200lm	136 lm/W

DIMENSIONS



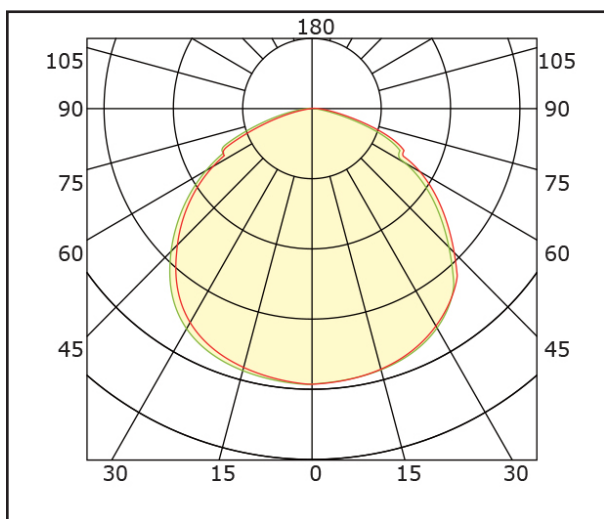
NET WEIGHT:

45W : 4.5393lb

65W : 4.8038lb

90W : 5.0287lb

PHOTOMETRICS



ACCESSORIES



Mounting arm kit (Optional)
USE: For pole mounting



Photocell
USE: Photocell is field installed or pre-installed in factory by requesting