

LED EXPLOSION PROOF EXIT

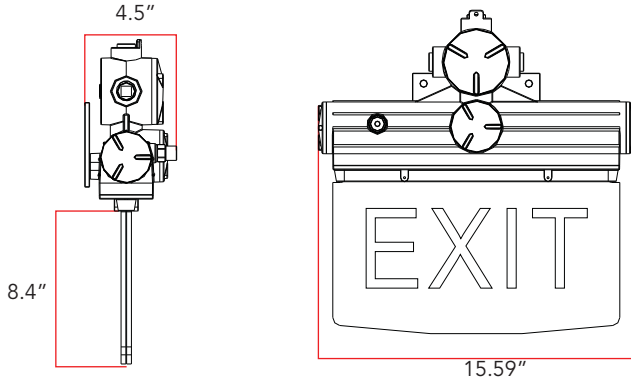
Explosion Proof Outdoor LED Luminaire (J SERIES)



This LED Explosion Proof Exit Sign is an ideal emergency exit marking solution for hazardous locations where failsafe reliability is a must.

DIMENSIONS

CERTIFICATIONS & RATINGS



- NEMA 4X, IP66
- UL1598/UL1589A/UL844
- CSA C22.2 No. 137/No.250.0
 - Class I, Division 1, Groups C,D
 - Class I, Division 2, Groups A,B,C,D
 - Class II, Division 1, Groups E,F,G
 - Class II, Division 2, Groups E,F,G
 - Class III
- IECEX
- ATEX
- L70

FEATURES

COMMON TECHNICAL DATA

- Good heat dissipation
- Shock and vibration resistant tempered glass
- Reduces risk of premature failure
- Use in hazardous application
- High strength aluminum alloy housing
- Limited Warranty: 5 year (10 year optional)

Color	RED
Permissible Ambient Temperature	10°C±55°C
Input Voltage	AC100-277V
Input Frequency	50/60Hz
Power	1-3W
Rated Life	150,000 hrs
Enclosure Material	Copper free aluminum alloy

WARRANTY

This product has a warranty for a period of 5 years from the date of purchase. The warranty is invalid in the case of improper installation, tampering, or removal of the Q.C. date label. Installation in an improper working environment or installation not according to the current edition of the National Electric Code also invalidates the warranty. Should this product fail during the warranty period, it will be replaced free of charge, subject to correct installation and return of the faulty unit. Patriot Lighting does not accept responsibility for any installation costs associated with the replacement of this product. This warranty is in addition to the statutory rights in the country of purchase. Patriot Lighting reserves the right to alter specifications without prior notice.

PRODUCT SPECIFICATION

Product Number	Wattage	CCT	Illumination Time	Working Hours	Lumens	Input Voltage
PT-1W JC1D1	1W	RED, Green, Yellow	3 hours	150,000 Hrs	375	AC100-277V
PT- 3W JC1D 1	3W	RED, Green, Yellow	3 hours	150,000 Hrs	375	AC100-277V

ORDERING GUIDE

PT	1W/3W	JC1D1	RED
Company Code	Wattage	Series	Y