

DATA SHEET: LED TROFFER RETROFIT KIT (CCT AND POWER CHANGEABLE)

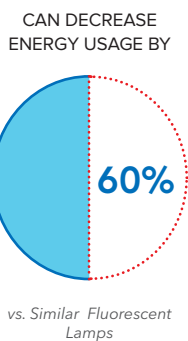
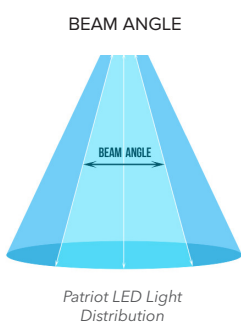
DESCRIPTION

The Patriot LED Door KIT is typically used to retrofit 1x4, 2x2 and 2x4 fluorescent troffer. The LED Door Kits are designed to retrofit troffers in drop ceilings in offices, schools, showrooms, airports, retail locations and healthcare facilities. The Door Kit utilizes an ultra-modern design with an industry leading >140 lumens per watt.

Our LED TROFFER RETROFIT KIT are backed with our industry-leading 100,000-hour rated lamp life and 10-year warranty. See Ordering Model table below for our BAA compliant products. Contact us for pricing or more information.

PRODUCT FEATURES

- Quick installation in under five minutes.
- External UL Listed Class-2 Constant Current Driver.
- Comes with mounting bracket.
- Suitable for damp locations.
- Minimize labour and recycling cost.
- Air handling bars option available.
- Ease of installation and maintenance.
- 0-10V Dimming.
- Emergency battery option available.
- Certifications: UL Listed.
- Long life LEDs lasting up to 100,000 hours.



WARRANTY



Our Industry-Leading 10-Year Limited Warranty Guarantees Unsurpassed Quality



ORDERING MODEL

Company Code	SIZE	WATTAGE	TUNABLE WATTAGE	DIMMING	CCT
PTD	2'X2' 2'X4' 1'X4'	15W, 20W, 25W, 36W, 40W, 50W	T1 = 15W, 20W, 25W, 36W T2 = 20W, 25W, 36W, 50W	XDZ	3000K 4000K 4500K 5000K
Product Code: Example					
PTD-2X2-25WT XDZB					

Battery backup option = B



PRODUCT SPECIFICATION

PRODUCT NO.	BAA/TAA OPTION*	WATTAGE	INPUT VOLTAGE	COLOR TEMP (K)	WATTAGE CHANGE ABLE	LUMENS	POWER EFFICIENCY	CRI	RATED LIFE (HOURS)	BEAM ANGLE	PF
2'X2' - LED TROFFER RETROFIT KIT (CCT AND POWER CHANGEABLE)											
PTD-2X2-15WT XDZB	Yes	15W	AC100-277V	3000/4000/4500/5000K	15W, 20W, 25W, 36W, 40W	2040	>140 LP/W	Ra>80	100,000	120 D	> 0.99
PTD-2X2-20WT XDZB	Yes	20W	AC100-277V	3000/4000/4500/5000K	15W, 20W, 25W, 36W, 40W	2720	>140 LP/W	Ra>80	100,000	120 D	> 0.99
PTD-2X2-25WT XDZB	Yes	25W	AC100-277V	3000/4000/4500/5000K	15W, 20W, 25W, 36W, 40W	3400	>140 LP/W	Ra>80	100,000	120 D	> 0.99
PTD-2X2-36WT XDZB	Yes	36W	AC100-277V	3000/4000/4500/5000K	15W, 20W, 25W, 36W, 40W	4930	>140 LP/W	Ra>80	100,000	120 D	> 0.99
PTD-2X2-40WT XDZB	Yes	40W	AC100-277V	3000/4000/4500/5000K	15W, 20W, 25W, 36W, 40W	5477	>140 LP/W	Ra>80	100,000	120 D	> 0.99
1'X4' - LED TROFFER RETROFIT KIT (CCT AND POWER CHANGEABLE)											
PTD-1X4-15WT XDZB	Yes	15W	AC100-277V	3000/4000/4500/5000K	15W, 20W, 25W, 36W, 40W	2040	>140 LP/W	Ra>80	100,000	120 D	> 0.99
PTD-1X4-20WT XDZB	Yes	20W	AC100-277V	3000/4000/4500/5000K	15W, 20W, 25W, 36W, 40W	2720	>140 LP/W	Ra>80	100,000	120 D	> 0.99
PTD-1X4-25WT XDZB	Yes	25W	AC100-277V	3000/4000/4500/5000K	15W, 20W, 25W, 36W, 40W	3400	>140 LP/W	Ra>80	100,000	120 D	> 0.99
PTD-1X4-36WT XDZB	Yes	36W	AC100-277V	3000/4000/4500/5000K	15W, 20W, 25W, 36W, 40W	4930	>140 LP/W	Ra>80	100,000	120 D	> 0.99
PTD-1X4-40WT XDZB	Yes	40W	AC100-277V	3000/4000/4500/5000K	15W, 20W, 25W, 36W, 40W	5477	>140 LP/W	Ra>80	100,000	120 D	> 0.99
2'X4' - LED TROFFER RETROFIT KIT (CCT AND POWER CHANGEABLE)											
PTD-2X4-20WT XDZB	Yes	20W	AC100-277V	3000/4000/4500/5000K	20W, 25W, 36W, 40W, 50W	2720	>140 LP/W	Ra>80	100,000	120 D	> 0.99
PTD-2X4-25WT XDZB	Yes	25W	AC100-277V	3000/4000/4500/5000K	20W, 25W, 36W, 40W, 50W	3400	>140 LP/W	Ra>80	100,000	120 D	> 0.99
PTD-2X4-36WT XDZB	Yes	36W	AC100-277V	3000/4000/4500/5000K	20W, 25W, 36W, 40W, 50W	4930	>140 LP/W	Ra>80	100,000	120 D	> 0.99
PTD-2X4-40WT XDZB	Yes	40W	AC100-277V	3000/4000/4500/5000K	20W, 25W, 36W, 40W, 50W	5477	>140 LP/W	Ra>80	100,000	120 D	> 0.99
PTD-2X4-50WT XDZB	Yes	50W	AC100-277V	3000/4000/4500/5000K	20W, 25W, 36W, 40W, 50W	6320	>140 LP/W	Ra>80	100,000	120 D	> 0.99

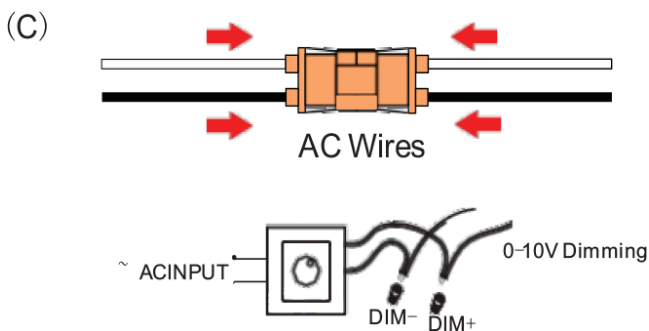
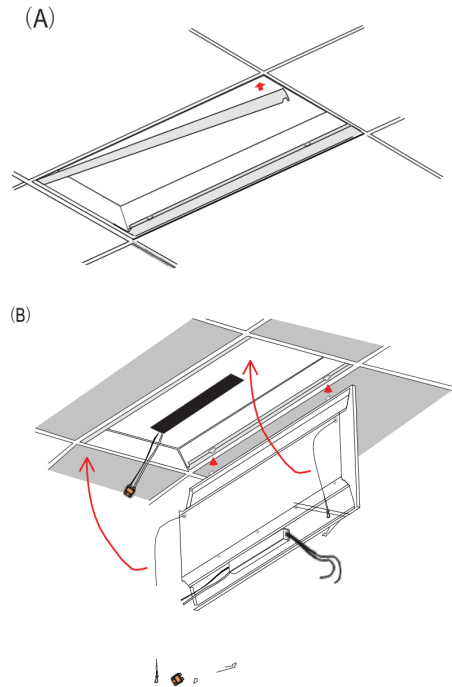
PHYSICAL DATA

PRODUCT NO.	OPERATION TEMPERATURE	LENGTH (FT)	HOUSING	FREQUENCY	LED Type	DIMMABLE
PTD-2X2-15WT XDZB	30°C to 40°C	2'x2	Steel+PC	50/60Hz	SMT 2835	0-10V
PTD-2X2-20WT XDZB	30°C to 40°C	2'x2	Steel+PC	50/60Hz	SMT 2835	0-10V
PTD-2X2-25WT XDZB	30°C to 40°C	2'x2'	Steel+PC	50/60Hz	SMT 2835	0-10V
PTD-2X2-36WT XDZB	30°C to 40°C	2'x2	Steel+PC	50/60Hz	SMT 2835	0-10V
PTD-2X2-40WT XDZB	30°C to 40°C	2'x2	Steel+PC	50/60Hz	SMT 2835	0-10V
PTD-1X4-15WT XDZB	30°C to 40°C	1'x4"	Steel+PC	50/60Hz	SMT 2835	0-10V
PTD-1X4-20WT XDZB	30°C to 40°C	1'x4"	Steel+PC	50/60Hz	SMT 2835	0-10V
PTD-1X4-25WT XDZB	30°C to 40°C	1'x4"	Steel+PC	50/60Hz	SMT 2835	0-10V
PTD-1X4-36WT XDZB	30°C to 40°C	1'x4	Steel+PC	50/60Hz	SMT 2835	0-10V
PTD-1X4-40WT XDZB	30°C to 40°C	1'x4	Steel+PC	50/60Hz	SMT 2835	0-10V
PTD-2X4-20WT XDZB	30°C to 40°C	2'x4'	Steel+PC	50/60Hz	SMT 2835	0-10V
PTD-2X4-25WT XDZB	30°C to 40°C	2'x4'	Steel+PC	50/60Hz	SMT 2835	0-10V
PTD-2X4-36WT XDZB	30°C to 40°C	2'x4'	Steel+PC	50/60Hz	SMT 2835	0-10V
PTD-2X4-40WT XDZB	30°C to 40°C	2'x4'	Steel+PC	50/60Hz	SMT 2835	0-10V
PTD-2X4-50WT XDZB	30°C to 40°C	2'x4'	Steel+PC	50/60Hz	SMT 2835	0-10V

INSTALLATION INSTRUCTIONS

Retrofit Procedures:

- Turn OFF power to the fixture at the breaker panel before installation.
- Open the diffuser from the light fixture.
- Remove the fluorescent tubes and dispose of these properly as they may contain mercury.
- Remove the ballast cover and disconnect host fixture ballast from main.
- Remove existing lamps, door frame (if applicable), reflector and ballast cover. Depending on clearance space, ballast may need to be removed.
- Slide in both mounting brackets between the housing and the T-grid (A).
- Hang the retrofit kit body by hooking the T-hinges into the slots and attach the safety cables to the opposing bracket (B).
- Connect AC wires and/or dimming wires (C).
- Recessed the troffer to the ribs of ceiling (C).
- Close door kit pushing it up and securing the bracket with the latches.
- Switch ON power to the fixture at the breaker panel



CAUTION

- Risk of fire do not install this lamp in a preheated luminaire.
- Risk of electric shock make installation with gloves.
- Access above ceiling required. DO NOT cover fixture with insulation liner or similar material.
- These lamps are to be used with a light dimmer.
- If the lamp or luminaire exhibits undesirable operation (i.e. buzzing, flickering, etc.), immediately turn off power and remove the lamp from luminaire and contact manufacturer.
- Do not make mass installation before sample testing.

DIMENSIONS

