

PROJECT NAME:

PRODUCT NUMBER:

NOTES:

FIXTURE SCHEDULE:



### LED SLIM CANOPY LIGHT

Rated IP65



### PRODUCT DESCRIPTION

The PATRIOT LED SLIM CANOPY LIGHT can be widely used in indoor or outdoor lighting locations such as parking garages, mechanical or electronic processing workshops, storage warehouses, steel mills, gas stations, toll booth and etc.

### FEATURES

- Die cast aluminum cooling design
- High efficiency LED Driver
- Stainless Steel Clips
- Suitable for ceiling mount
- Motion Sensor Option available
- Suitable for damp or dry environments
- Lumileds LED with high luminous efficiency
- Finish: Dark Bronze/White
- Rated IP65

### TECHNICAL DATA

- CCT: 4000K-5000K
- Beam Angle: 150° Degrees
- Color Rendering Index (CRI): >80
- Operation Temperature: -30°C to 45°C
- Efficiency : >110LPW
- Universal voltage: 120V-277V applications
- Input Frequency: 50/60Hz
- High power factor: ≥.95
- Rated Life: 50,000 hrs
- LED Type: Lumileds LED
- Housing: Aluminum & Plastic
- Limited Warranty: 5 YRS

### CERTIFICATIONS



### ORDERING MODEL

PATRIOT TUBE	TUBE TYPE	WATTAGE	VOLTAGE	CCT
PT	CP	30W, 45W, 55W 65W, 100W	27	4000K 5000K
Product Code: example				
PT - CP - 45 W - 27 - 4000K				

2106 Baltimore St. Defiance, OH 43512

Ph: (866.258.0592, 312.470.8058 | contact@alg-USA.com | www.patriotled.com

Rvs: 02.22.18

Pg. 1 of 2



# LED SLIM CANOPY LIGHT

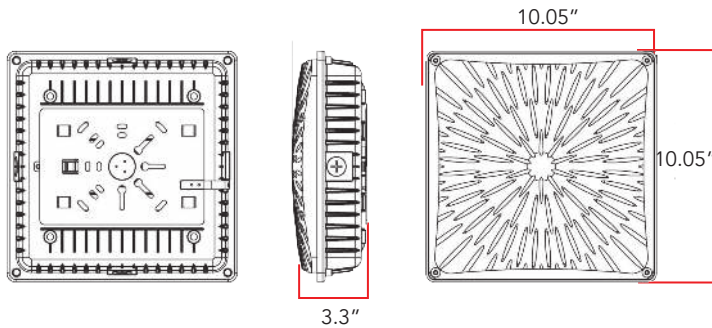
Rated IP65



## PRODUCT SPECIFICATION

ITEM	SPECIFICATION					
GENERAL PERFORMANCE	Length	10.05"x10.05"x3.3 "				
	Power Consumption	30W	45W	55W	65W	100W
	Lumens Delivered	3750	5300	6600	7650	11,800
	Efficacy	>80				
	CRI	>80				
	Beam Angle	100°				
	CCT	4000K/5000K				
	Lumen Maintenance	50,000 hours				
ELECTRICAL	Power Factor	>.90				
	Input Voltage	120V -277V /, 50/60 Hz				
	Operating Temperature	-30°C to 45 °C				
	Housing	Aluminum/PC				
CERTIFICATION	Certification	UL Classified, NSF				
	Material Usage	RoHS Compliant; no mercury				
	Environment	Dry & Damp				
	Warranty	5 Years				

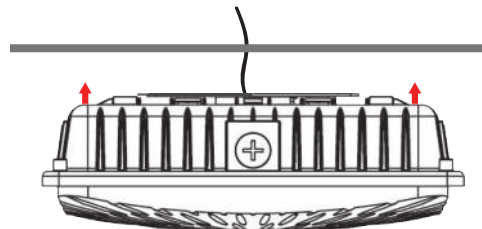
## DIMENSIONS



## INSTALLATION

Mounting Procedure:

1. Turn OFF power at the breaker panel before installation.
2. Connect the AC wires and/or dimming wires.
3. Locate mounting holes on fixture and mount fixture onto ceiling.
4. Make sure fixture is secure.
5. Switch ON power to the fixture at the breaker panel.



2106 Baltimore St. Defiance, OH 43512

Ph: 866.258.0592, 312.470.8058 | [contact@alg-USA.com](mailto:contact@alg-USA.com) | [www.patriotled.com](http://www.patriotled.com)

