



DATA SHEET: PATRIOT LED 20W CORN LAMP

General illumination
Outdoor use in outdoor luminaires only (minimum Ip65)
Reduces lumen maintain flux and working life if used in sealed lamp fixtures.

PRODUCT FEATURES

- Unique structure design, light source easier for light source replacement if needed.
- Aluminium fin-shape heat sinking in order to speed up heat dissipation.
- Popular, ballast free, easy installation.
- Not suitable for dimmers, electronic switches and remote controls.
- Mainly used in work places, supermarkets and public lighting.
- No UV and near-IR radiation in the light beam.
- Very low energy consumption, Lower thermal output.
- Can be easily fitted instead of ordinary light bulbs.
- Long life LEDs lasting up to 100,000 hours.
- Limited Warranty: 5 year (10yrs optional).



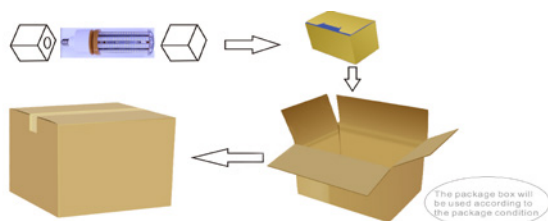
PRODUCT SPECIFICATION

PRODUCT NO.	BAA/TAA OPTION*	WATTAGE	INPUT VOLTAGE	COLOR TEMP (K)	LUMINOUS FLUX	PF	CRI	RATED LIFE (HOURS)	FREQUENCY	POWER FACTOR
20W - LED ENERGY SAVING LIGHT										
PT-ACL20W-02C	Yes	20W	100~277VAC (AC90-305V is available)	Warm white=2500~3500 NaturalWhite=4000K~5000K Cool White= 5500~6500K	2400LM	>0.87	Ra>80	100,000	50/60 Hz	> 0.90
24W - LED ENERGY SAVING LIGHT										
PT-ACL24W-02C	Yes	24W	100~277VAC (AC90-305V is available)	Warm white=2500~3500 NaturalWhite=4000K~5000K Cool White= 5500~6500K	2400LM	>0.87	Ra>80	100,000	50/60 Hz	> 0.90

PHYSICAL DATA

PRODUCT NO.	AMBIENT TEMPERATURE	BASE	HUMIDITY	Light Source/ Count	STARTING TIME	DIMMABLE	OVER VOLTAGE PROTECTION	SHORT CIRCUIT PROTECTION
20W - LED ENERGY SAVING LIGHT								
PT-ACL20W-02C	-40~45	E26/E27	< 90%	190pcs 2835 SMD LED	0 S	No	YES	YES
24W - LED ENERGY SAVING LIGHT								
PT-ACL24W-02C	-40~45	E26/E27	< 90%	190pcs 2835 SMD LED	0 S	No	YES	YES

LOGISTICAL DATA PACKAGE



Dimensions & weight

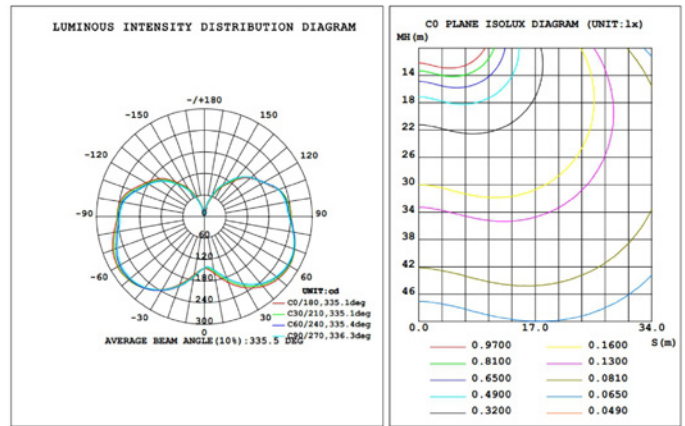
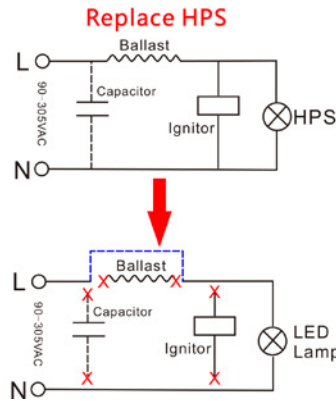
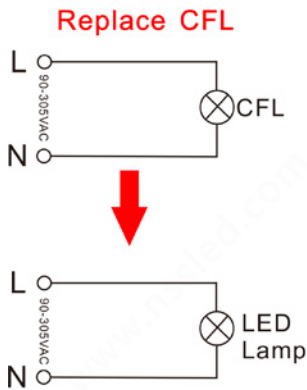


Base	E26/E27
Overall length	178mm
Diameter	60mm
N. W	160g

Packaging unit (Pieces/Unit)	Dimensions	Gross weight	Volume
1 Small box	21.7*9.5*9.5cm	226g	0.002m ³
Outer Carton 32	44*39*41cm	8.0Kg	0.070m ³

INSTALLATION

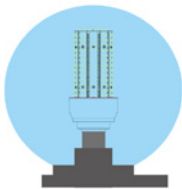
LIGHT DISTRIBUTION DIAGRAM



Attention ①

When the products are used in the outdoor lighting, ensure the space is waterproof and well ventilated. Pay attention to the size of the confined space. Ensure the lamp has enough space for heat dissipation which ensures lumen maintenance and extends its working life.

As shown below, for your reference



When 20W warehouse light is used in confined space, the diameter must be more than 20cm.

Attention ②

Key Benefits of comparison	LED Energy Saving light 20W	ECTONE HIGH LUMEN TWISTER 40W	Incandescent Lamp 150W
Luminous Flux(Lm)	2400	2200	2250
Efficiency(Lm/W)	120	55	15
Better Color Appearance Measured in color Rendering index	83	80	98
Wide Color Availability In CCT(kelvin)	2500-6500	2500-6500	2500
Starting Time, Quick Start (min)	0	3	0
The life of the lamp(H)	35000	8000	5000



LED Energy Saving light 20W



ECTONE HIGH LUMEN TWISTER 40W

OR



Incandescent Lamp 150W

Additional product data

All technical parameters apply to the entire lamp/Due to the complex production process for light-emitting diodes, the typical values shown for the technical LED parameters are purely statistical values that do not necessarily match the actual technical parameters of each individual product, which can vary from the typical value.