

# DATA SHEET: LED FLAT PANEL SURFACE MOUNT KITS

## DESCRIPTION

Patriot Panels 1x4, 2x2 and 2x4 surface mount kits are an accessory designed especially for Patriot LED Flat Panels. These kits provide an aesthetically pleasing style and an ultra low-profile silhouette. Ideal for field installation on insulated or non-insulated sheet rock ceilings.

Our PATRIOT LED Troffer Retrofit Kit are backed with our industry-leading 100,000-hour rated lamp life and 10-year warranty. Contact us for pricing or more information.

## CONSTRUCTION

- Durable 18 gauge aluminum frame; 0.067" thick (1.7mm).
- Post-painted in white powder coat paint.
- Easy-to-assemble for quick field installation.
- Ultra low-profile design.
- Can accommodate Patriot LED Flat Panels with or without emergency back-up option.

## COMPLIANCE

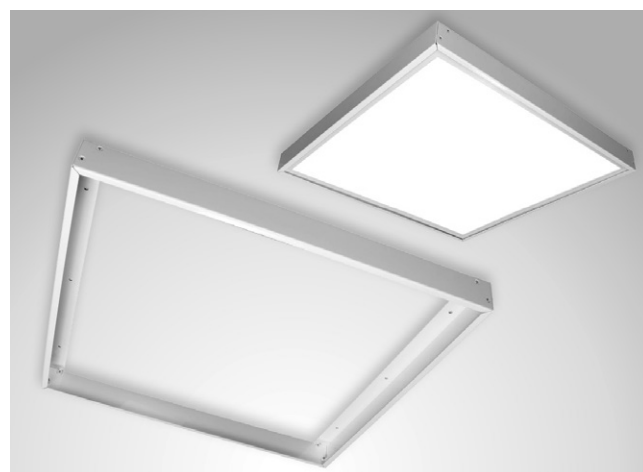
- cULus – damp location listed.
- RoHS Compliant.

## LISTINGS

- cULus Recognized Luminaire Fitting.
- Kits were UL tested with Patriot LED Flat Panels to ensure compatibility.

## WARRANTY

- Five year limited warranty (10 years optional) against defects in manufacturing.

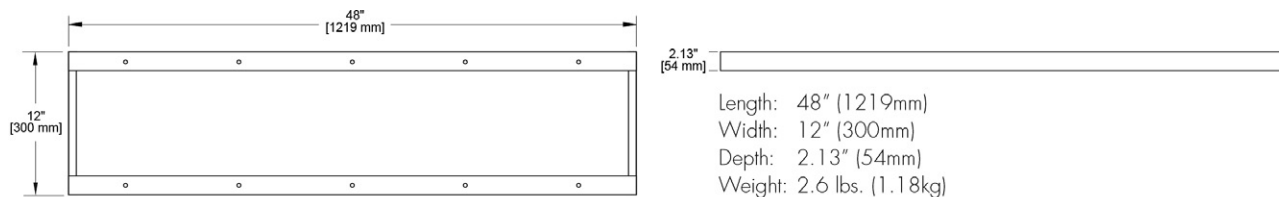


## ORDERING MODEL

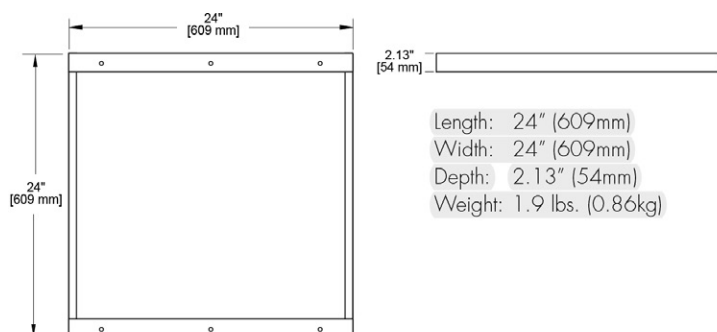
MODEL NO.	SIZE	DIMENSIONS (L X W X D)	WEIGHT (DOES NOT INCLUDE FIXTURE WEIGHT)	FINISH	PATRIOT LED PANEL COMPATIBILITY (PATRIOT MODEL #S)
PT-1X4-SM	1x4	48" 12" x 2.13" (1219mm x 300mm x 54mm)	2.6 lbs. (1.18 kg)	White	PP-1X4-30W CDS PP-1X4-40W CDS PP-1X4-60W CDS
PT-2X2-SM	2x2	24" x 24" x 2.13" (609mm x 609mm x 54mm)	1.9 lbs. (0.86 kg)	White	PP-2X2-20W CDS PP-2X2-30W CDS PP-2X2-40W CDS PP-2X2-60W CDS
PT-2X4-SM	2x4	48" x 24" x 2.13" (1219mm x 609mm x 54mm)	3.0 lbs. (1.36 kg)	White	PP-2X4-30W CDS PP-2X4-40W CDS PP-2X4-50W CDS PP-2X4-75W CDS

## DIMENSIONS AND WEIGHT

### 1X4 KIT



### 2X2 KIT



### 2X4 KIT

