

DATA SHEET: TWIN SPOT EMERGENCY LIGHT (EXIT-836, COMBO)

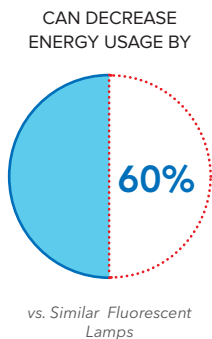
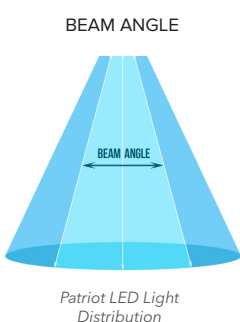
PRODUCT FEATURES

- LED Type: SMD LED.
- Battery Type: Ni-cd.
- Working Time: 90 minutes.
- Charging Time: 15-24 Hours.
- Limited Warranty: 5 year (10yrs optional).



TECHNICAL DATA

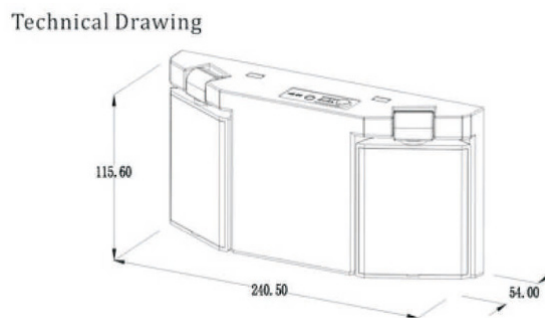
- Injection-molded thermoplastic ABS housing.
- UL-94V-O name rating, fire-retardant.
- Wall and ceiling mounting.
- Input Voltage: 120/277VAC or 120/347VAC 60Hz.
- 2x1.6W lamps for emergency mode.
- Nickel Cadmium Battery.
- Test switch and charge indicator light.
- Overcharge & Over-discharge protection.
- Backup Time: >= 90minutes.
- Conversion Time: <0.2second.
- IP Class: IP20.
- Insulation: II, Range: 80m2.
- Operating Temperature: 0°C ~ 40°C.



WARRANTY



Our Industry-Leading 10-Year Limited Warranty Guarantees Unsurpassed Quality



PRODUCT SPECIFICATION

Product No.	BAA/TAA Option	Rated Lamp Wattage	Lamp Type	Input Voltage	Frequency	Discharge
TWIN SPOT LED EMERGENCY LIGHT (EXIT-836, COMBO)						
PT-EXIT-836	Yes	2W	2X1.6W LED	120/277VAC	60 Hz	90 Minutes

