

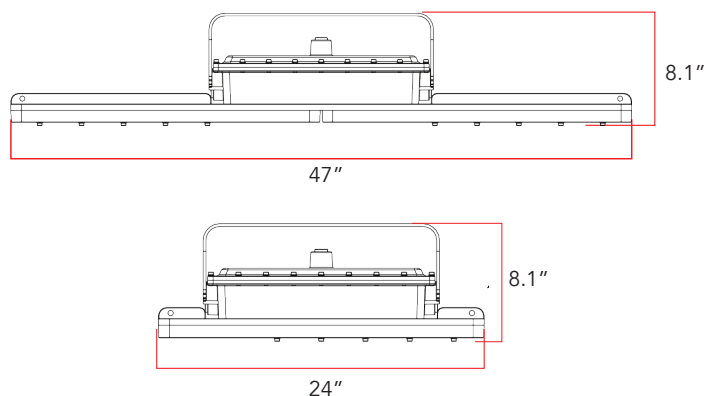
# LED EXPLOSION PROOF LIGHT

## Explosion Proof Outdoor LED Luminaire (I SERIES)

This LED Explosion Proof Light can provide general illumination in hazardous locations such as oil refineries, gasoline loading docks, distilleries, pumping stations, mines, vessels, paint manufacturing plants and other high humidity, high temperature, dusty locations.



### DIMENSIONS



### CERTIFICATIONS & RATINGS



- NEMA 4X, IP66
- UL1598/UL1589A/UL844
- CSA C22.2 No. 137/No.250.0
- Class I, Division 1, Groups C,D
- Class I, Division 2, Groups A,B,C,D
- Class II, Division 1, Groups E,F,G
- Class II, Division 2, Groups E,F,G
- Class III
- IECEx
- ATEX
- L70

### FEATURES

- Surface mounting and pendant installation
- High vibration resistance
- IP66 Rating
- Wide and narrow optics for uniform illumination
- Copper free aluminum
- Limited Warranty: 5 year (10 year optional)

### COMMON TECHNICAL DATA

Color Temperature	4000K to 5700K
CRI	> 70
Beam Angle	120°
Input Voltage	AC100-277V/200-480V
Frequency	50-60Hz
Power Factor	More than 0.90
Rated Life	150,000 hours
Efficiency	More than 130 LPW

### WARRANTY

This product has a warranty for a period of 5 year from the date of purchase. The warranty is invalid in the case of improper installation, tampering, or removal of the Q.C. date label. Installation in an improper working environment or installation not according to the current edition of the National Electric Code also invalidates the warranty. Should this product fail during the warranty period, it will be replaced free of charge, subject to correct installation and return of the faulty unit. Patriot Lighting does not accept responsibility for any installation costs associated with the replacement of this product. This warranty is in addition to the statutory rights in the country of purchase. Patriot Lighting reserves the right to alter specifications without prior notice.

# LED EXPLOSION PROOF LIGHT

Explosion Proof Outdoor LED Luminaire (I SERIES)

## PRODUCT SPECIFICATION

Product Number	Watt	CCT	Voltage	Lumens	Working Hours	CRI
PT-30W I2YZDA	30	4000K-5700K	AC100-277V or AC200-480V	3750	150,000 Hrs	70
PT-40W I2YZDA	40	4000K-5700K	AC100-277V or AC200-480V	5000	150,000 Hrs	70
PT-60W I4YZDA	60	4000K-5700K	AC100-277V or AC200-480V	7500	150,000 Hrs	70
PT-80W I4YZDA	80	4000K-5700K	AC100-277V or AC200-480V	10000	150,000 Hrs	70

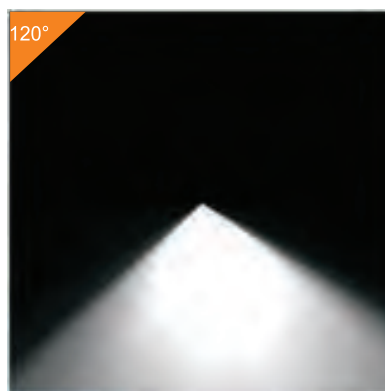
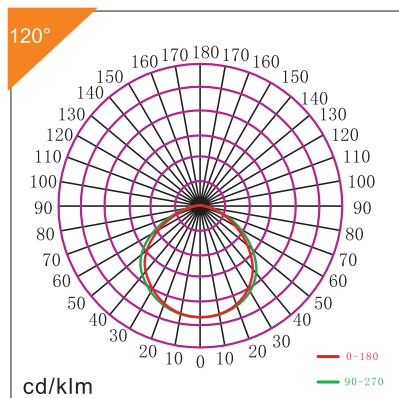
"I" = Product Series "Y" = D or N: Dimmable or Non-Dimmable "Z" = CCT (4000K-5700K) "D" = Beam Angle: 120° "A" = Mounting Options

4000K-5700K  
AC100-2

## ORDERING GUIDE

PT	30W/40W/60W/80W	I2/I4	D/N	4000K-5700K	120°	AM/DM/YM/FM
Company Code	Wattage	Series	Y= Dimming Options	Z= CCT	D= Beam Angle	A= Mounting Options

## LIGHT DISTRIBUTION



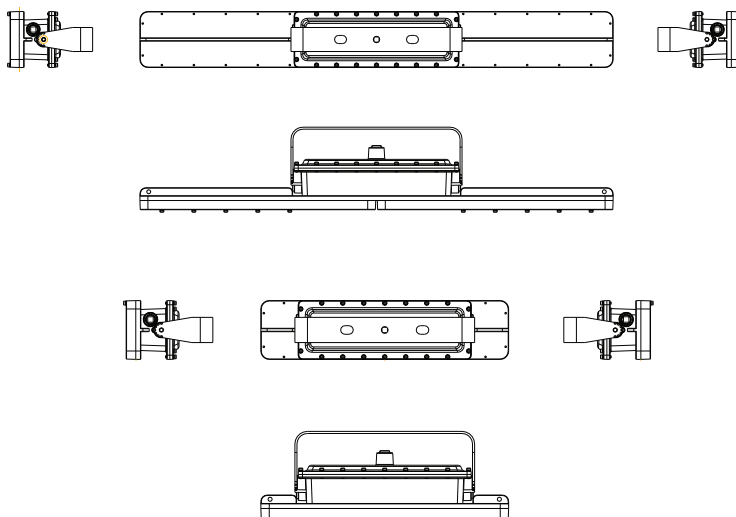
## CAUTION

- Risk of fire- make sure power is OFF before installation.
- Risk of electric shock- make installation with gloves.
- All wiring needs to be performed per National Electrical Code and local code by a qualified electrician.
- These lamps can be used with a light dimmer.
- High temperatures inside luminaire make certain line voltage corresponds with ballast's primary voltage.
- If the lamp or luminaire exhibits undesirable operation (i.e. buzzing, flickering, etc.), immediately turn off power and remove the lamp from luminaire and contact manufacturer.
- Luminaires should not be installed in narrow space to guarantee enough air convection.
- Do not make mass installation before sample testing.

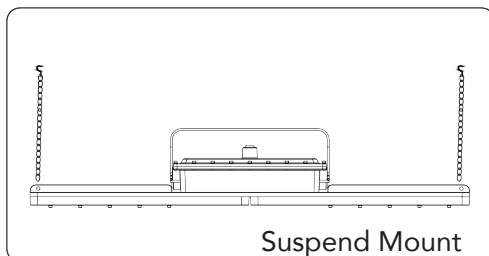
# LED EXPLOSION PROOF LIGHT

Explosion Proof Outdoor LED Luminaire (I SERIES)

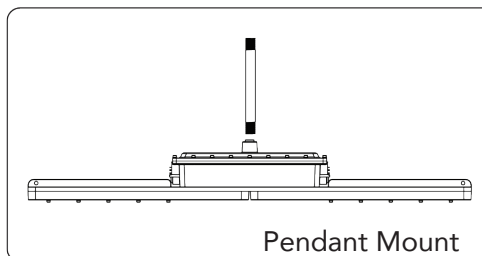
## STRUCTURE DIAGRAM



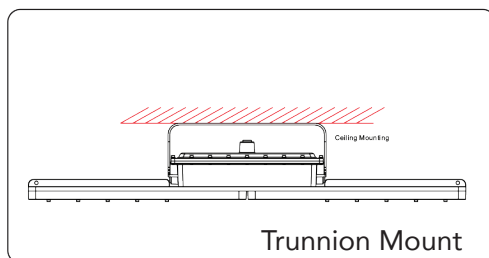
## MOUNTING OPTIONS



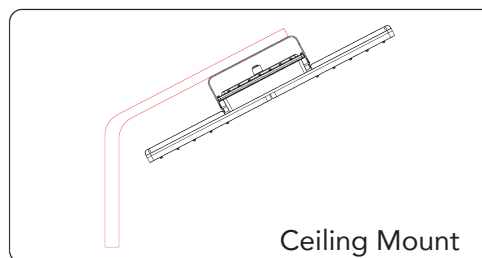
Suspend Mount



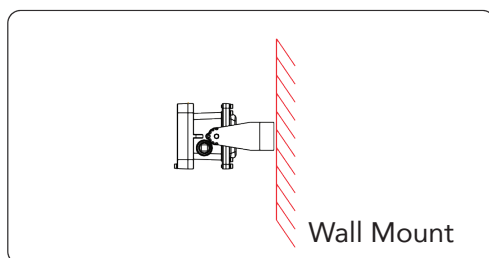
Pendant Mount



Trunion Mount



Ceiling Mount



Wall Mount