

DATA SHEET: LED HIGH BAY GENERATION-2 (PT-HB03)

The PATRIOT LED High Bay Generation-2 LED luminaires offer energy savings and high performance, suitable for commercial, retail and institutional applications including gymnasiums, factories and warehouses.

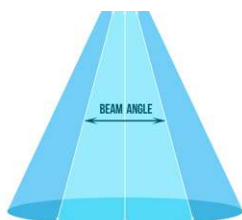
Our LED High Bay Generation-2 are backed with our industry-leading more than 100,000-hour rated lamp life and 10-year warranty. See Ordering Model table below for our BAA compliant products. Contact us for pricing or more information.

PRODUCT FEATURES

- Sealed die-casting pro le for indoor and outdoor applications.
- Voltage is 120-277V.
- Lumen output is 10000lm.
- Superior color rendition index compared to HPS.
- Increase energy savings with bi-level Motion sensor.
- 0-10V dimming
- Replacing 250W MH.
- Operating temperature is -40°C to 50°C(-40°F to 122°F).
- UL/Cul wet location listed.
- Rated Life: 100,000 hrs.
- Limited Warranty: 5 years (10yrs optional).

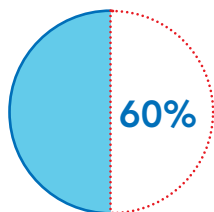


BEAM ANGLE



Patriot LED Light Distribution

CAN DECREASE ENERGY USAGE BY



vs. Similar Fluorescent Lamps

WARRANTY



Our Industry-Leading 10-Year Limited Warranty Guarantees Unsurpassed Quality

APPLICATIONS

- Commercial.
- Retail.
- Gymnasiums.
- Factories
- Warehouses.



ORDERING MODEL

Fixture Type (PT-HB)	WATTAGE	VOLTAGE	CCT	FINISH	SENSOR (OPTION)
PT-MHB03 = PTHB Series	80W 80Watts	27V 120-277V	40K 4000K 50K 5000K	D Dark Bronze B Black W White	M With Sensor Blank Without Sensor
Product Code: Example					
PT-MHB0380W27V50KYY					

PRODUCT SPECIFICATION

Product No.	BAA/TAA Option*	PHOTOMETRY	Watts	VOLTAGE	4000K (70CRI)		5000K(70CRI)	
					Lumens	LPW	Lumens	LPW
PT-MHB0380W27V50KYY	Yes	High Bay	80W	120-277VAC	9900lm	110 lm/W	9900lm	110 lm/W

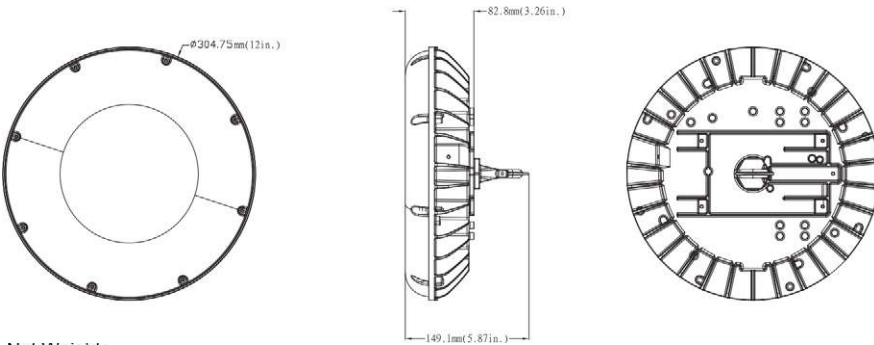
ELECTRICAL DATA

Number Of Drivers	Driver Current (Amps)	Nominal Power (W)	INPUT VOLTAGE (V)	CURRENT (Amps)
1	2120	80	120	0.67
		80	208	0.38
		80	240	0.33
		80	277	0.29



DIMENSION

unit: inch/mm



Net Weight:
80W: 6.0lb(2.72kg)

PHOTOMETRICS

