

LED SPOT LIGHT SERIES

High Bay/Flood Light - Series A



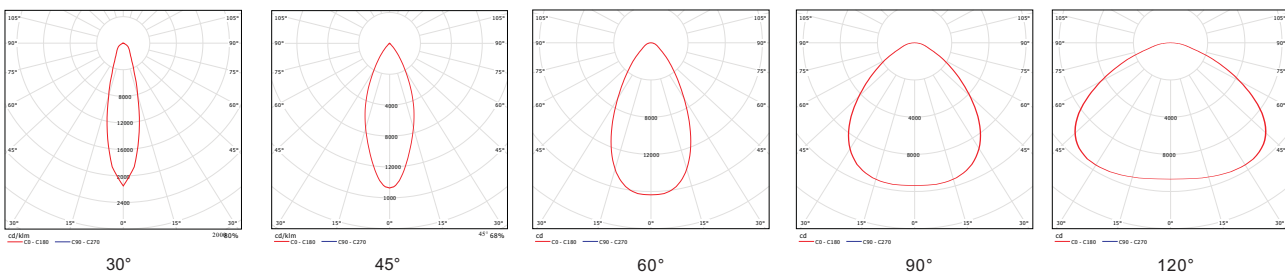
Features

- High lumens output
- Flexible surface mounted installation
- IP65 outdoor light
- Can work with back up battery and motion sensor

Application

- Factory, logistics center exhibition hall
- Workshop, gymnasium, stadium
- Warehouse, shipyards
- Mining, gas station, super market

Light Distribution



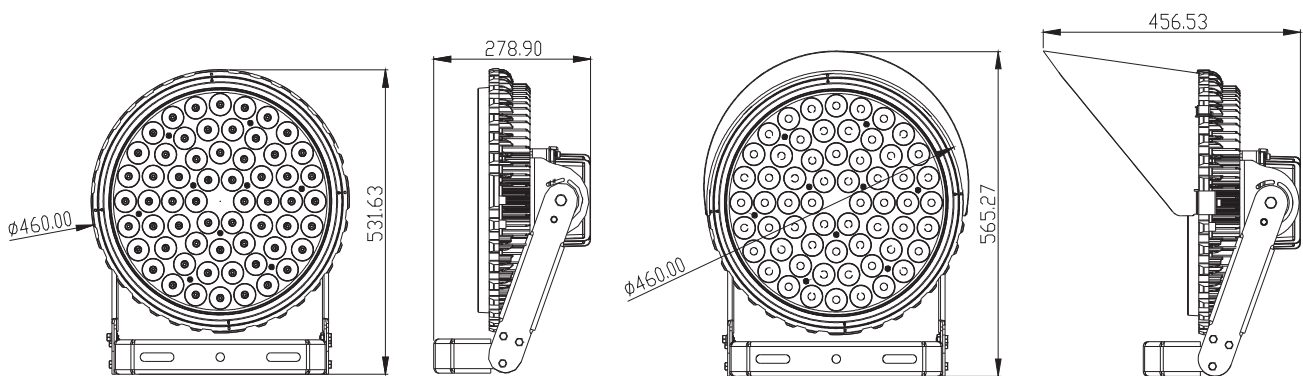
Technical Data

Number	Power	Angle	CCT	Lumens	Input Voltage	CRI	Lifespan
PT-300W AYZ	300W	30-120 degree	3000K-5700K	39000	AC100-277V/AC200-480V	70	50000 hours
PT-400W AYZ	400W	30-120 degree	3000K-5700K	52000	AC100-277V/AC200-480V	70	50000 hours
PT-500W AYZ	500W	30-120 degree	3000K-5700K	65000	AC100-277V/AC200-480V	70	50000 hours
PT-600W AYZ	600W	30-120 degree	3000K-5700K	78000	AC100-277V/AC200-480V	70	50000 hours
PT-700W AYZ	700W	30-120 degree	3000K-5700K	91000	AC100-277V/AC200-480V	70	50000 hours
PT-800W AYZ	800W	30-120 degree	3000K-5700K	104000	AC100-277V/AC200-480V	70	50000 hours
PT-900W AYZ	900W	30-120 degree	3000K-5700K	117000	AC100-277V/AC200-480V	70	50000 hours
PT-1000W AYZ	1000W	30-120 degree	3000K-5700K	130000	AC100-277V/AC200-480V	70	50000 hours
PT-1100W AYZ	1100W	30-120 degree	3000K-5700K	142000	AC100-277V/AC200-480V	70	50000 hours
PT-1200W AYZ	1200W	30-120 degree	3000K-5700K	156000	AC100-277V/AC200-480V	70	50000 hours

Photometric Data

Rated Power	300W~1200W
Input Voltage	100-277/200-480VAC
Frequency	50 / 60 Hz
Power Factor	>0.9
Beam Angle	30°/45°/60°/90°/120°
CRI	> 70
Dimming Function	0 - 10 V
Operating Temperature	-30°C to 45°C

Dimensions



300/400/500/600W