

# DATA SHEET: LED HIGH BAY(PTMHB05)

## Features

- Efficacy higher than 156lm/w, designed to replace 750W and 1000W HID while consumes 250W and 340W.
- Open the drive compartment cover from below to facilitate inspection and assembly.
- 120 degree lens guarantees light intensity and light uniformity.
- Hook(default included) or Conduit pendant way for different applications.
- Optional motion sensor can be offered for maximizing energy savings.
- Optional adjustment dial allows the fixture to meet higher ambient temperature requirements.
- Operating temperature is -40°C to 65°C (-40°F to 149°F).
- Resistant to shock and vibration.
- Rated life 100,000 hours
- Limited Warranty 5 year (10 year optional)



## Applications:

Suitable for commercial, retail and institutional applications including gymnasiums, factories and warehouses.



## ORDERING GUIDE

Example: PTMHB05250W27V50KD

| Fixture Type        | Wattage         | Voltage             | CCT              | Finish               | Sensor (Option)             | Adjustment Dial (Option)             | Internal Code       |
|---------------------|-----------------|---------------------|------------------|----------------------|-----------------------------|--------------------------------------|---------------------|
| PTMHB05<br>High Bay | <b>200</b> 200W | <b>27V</b> 120-277V | <b>40K</b> 4000K | <b>D</b> Dark Bronze | <b>M</b> With Sensor        | <b>AD</b> With Adjustment Dial       | <b>Blank</b>        |
|                     | <b>300</b> 300W | <b>48V</b> 347-480V | <b>50K</b> 5000K | <b>B</b> Black       | <b>Blank</b> Without Sensor | <b>Blank</b> Without Adjustment Dial | <b>Alphanumeric</b> |
|                     | <b>250</b> 250W |                     |                  | <b>W</b> White       |                             |                                      |                     |
|                     | <b>340</b> 340W |                     |                  |                      |                             |                                      |                     |

Note: 1. 200W and 300W are obtained by 250W and 340W using adjustment dial.

2. 200W or 300W is recommended when the ambient temperature is -40°C to 65°C (-40°F to 149°F).

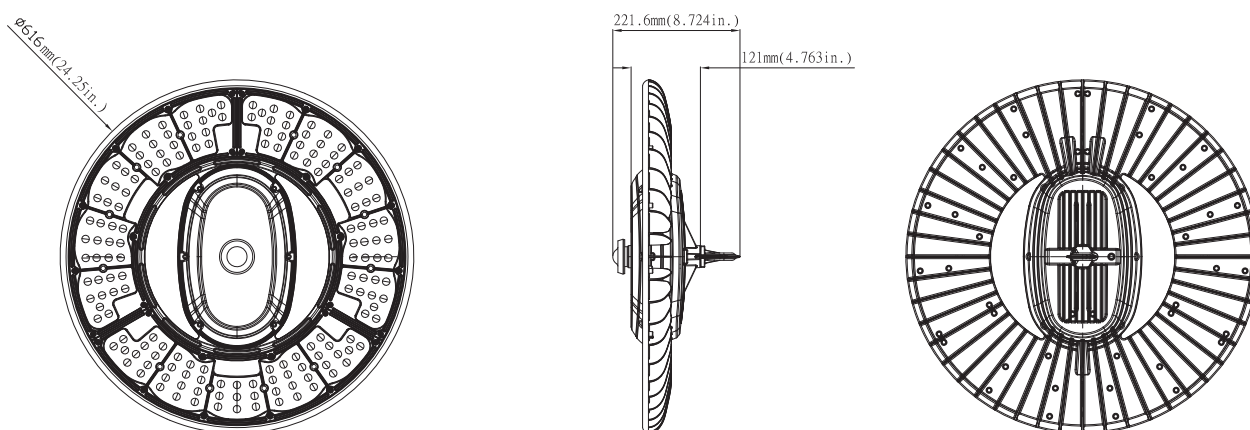
3. 250W or 340W is recommended when the ambient temperature is -40°C to 55°C (-40°F to 131°F).

## PERFORMANCE DATA

| SYSTEM WATTS | VOLTAGE             | LUMENS  | LPW     | 4000K(70CRI) |         | 5000K(70CRI)  |
|--------------|---------------------|---------|---------|--------------|---------|---------------|
|              |                     |         |         | LUMENS       | LPW     | Temperature   |
| 200W         | 120-277VAC/347-480V | 32000lm | 160lm/W | 32000lm      | 160lm/W | -40°C to 65°C |
| 250W         | 120-277VAC/347-480V | 39000lm | 156lm/W | 39000lm      | 156lm/W | -40°C to 55°C |
| 300W         | 120-277VAC/347-480V | 48000lm | 160lm/W | 48000lm      | 160lm/W | -40°C to 65°C |
| 340W         | 120-277VAC/347-480V | 54000lm | 159lm/W | 54000lm      | 159lm/W | -40°C to 55°C |

## DIMENSION

unit: inch/mm



Weight:  
 200W/250W: 16.27lb  
 300W/340W: 17.57lb

