

DATA SHEET: LED CANOPY(PTMCP03)

Features

- Sealed die-casting profile for indoor and outdoor applications.
- Voltage is 120-277V & 347V.
- Lumen output from 3500-7600lm with efficacy up to 127lm/W.
- Optional Parking Garage Photometry or Low Bay Photometry as per applications.
- Increase energy savings with bi-level Motion sensor.
- Replacing 100W MH and 175W MH.
- Operating temperature is -40°C to 45°C(-40°F to 113°F).
- UL/cUL wet location and DLC premium qualified.
- Limited Warranty 5 year (10 year optional)



Applications:

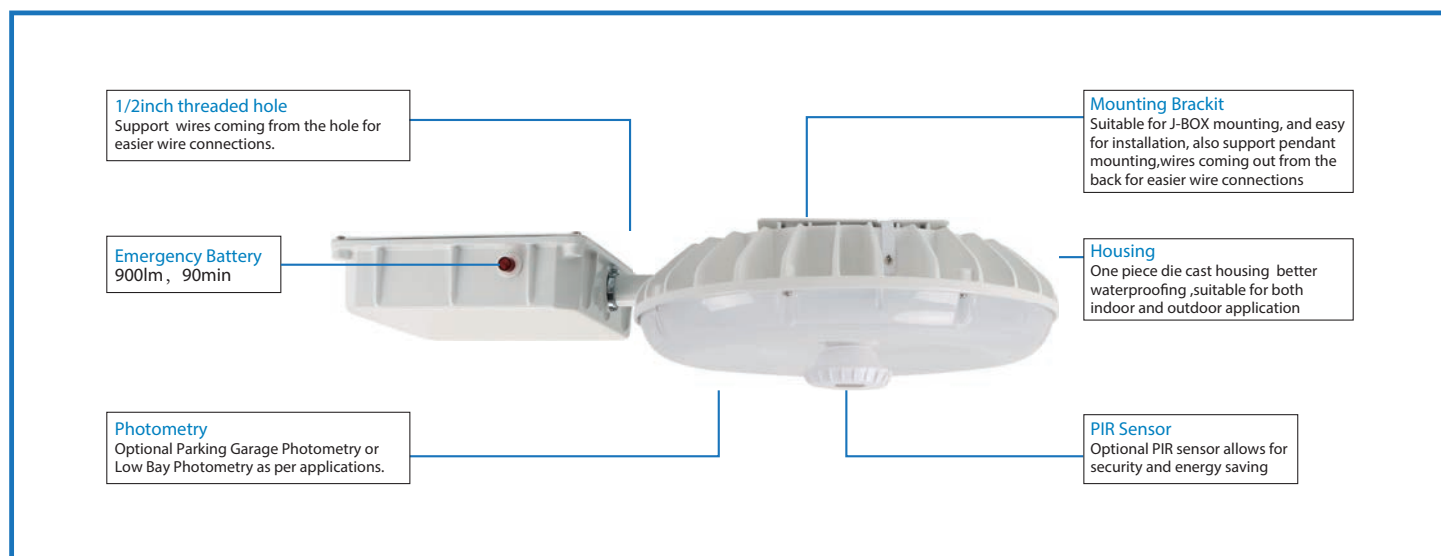
Parking structures, storage areas, shopping area walkways, entryway, and low level security.

ORDERING GUIDE

Example: PTMCP0330W27V40KDMDPG

Fixture Type	Wattage	Voltage	CCT	Finish	Sensor (Option)	Dimmable	Photometry	Emergency Battery (Only for 45W)
PTMCP03 MCP Series	30 30W	27V 120-277V	40K 4000K	D Dark Bronze	Blank Without Sensor	D 1-10V Dimmable	PG Parking Garage	B Emergency Battery
	45 45W	34V 347V	50K 5000K	B Black	M With Sensor	Blank NON Dimmable	LB Low Bay	Blank Without Emergency Battery
	50 50W			W White				
	60 60W							
	65 65W							

Note: 1. The watt is 45W when the voltage is 120-277V,while the voltage is 347V,the watt is 50W.
 2. The watt is 65W when the voltage is 120-277V,while the voltage is 347V,the watt is 65W.
 3. Optional emergency battery only for 45W.



PERFORMANCE DATA

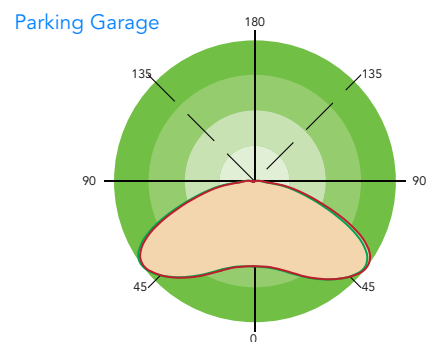
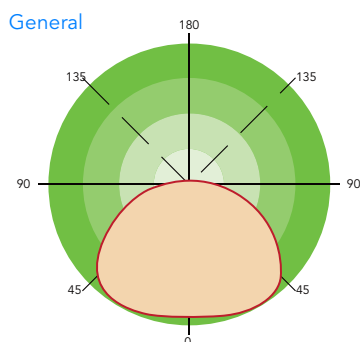
			4000K(70CRI)		5000K(70CRI)	
SYSTEM WATTS	PHOTOMETRY	VOLTAGE	LUMENS	LPW	LUMENS	LPW
30W	Parking Garage	120-277VAC	3500lm	117 lm/W	3600lm	120 lm/W
	Low Bay	120-277VAC	3800lm	127 lm/W	3800lm	127 lm/W
45W	Parking Garage	120-277VAC	4900lm	109 lm/W	5000lm	111 lm/W
	Low Bay	120-277VAC	5500lm	122 lm/W	5500lm	122 lm/W
50W	Parking Garage	347VAC	4900lm	98 lm/W	5000lm	100 lm/W
	Low Bay	347VAC	5500lm	110 lm/W	5500lm	110 lm/W
60W	Parking Garage	120-277VAC	7000lm	117 lm/W	7100lm	118 lm/W
	Low Bay	120-277VAC	7600lm	127 lm/W	7600lm	127 lm/W
65W	Parking Garage	347VAC	7000lm	108 lm/W	7100lm	109 lm/W
	Low Bay	347VAC	7600lm	117 lm/W	7600lm	117 lm/W

ELECTRICAL DATA

Number Of Drivers	Driver Current (mA)	Nominal Power (W)	INPUT VOLTAGE (V)	CURRENT (Amps)
1	760	30	120	0.25
		30	208	0.14
		30	240	0.13
		30	277	0.11
1	1110	45	120	0.38
		45	208	0.22
		45	240	0.19
		45	277	0.16
		50	347	0.14
1	1500	60	120	0.50
		60	208	0.29
		60	240	0.25
		60	277	0.22
		60	347	0.17

CHOOSE YOUR OPTICAL DISTRIBUTION

Each optic is designed for a specific purpose. The general distribution allows a wash of light in any application. In addition, we design an optics specially for parking garage.



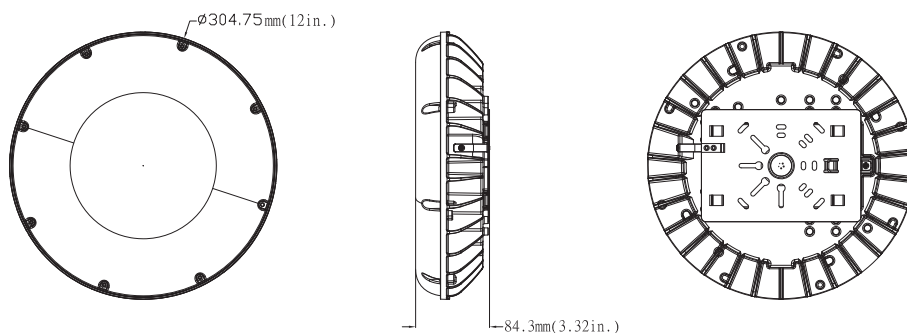
DLC Model NO.

SYSTEM WATTS	VOLTAGE	CCT	Dimmable	DLC NO.	DLC Classification
30W	120-277V	4000K	NO	PTMCP0330W27V40K[D,B,W][Blank,M]PG	Premium
		5000K	NO	PTMCP0330W27V50K[D,B,W][Blank,M]PG	Premium
		4000K	YES	PTMCP0330W27V40K[D,B,W][Blank,M]DPG	Premium
		5000K	YES	PTMCP0330W27V50K[D,B,W][Blank,M]DPG	Premium
45W	120-277V	4000K	NO	PTMCP0345W27V40K[D,B,W][Blank,M]PG	Premium
		5000K	NO	PTMCP0345W27V50K[D,B,W][Blank,M]PG	Premium
		4000K	YES	PTMCP0345W27V40K[D,B,W][Blank,M]DPG	Premium
		5000K	YES	PTMCP0345W27V50K[D,B,W][Blank,M]DPG	Premium
60W	120-277V	4000K	YES	PTMCP0360W27V40K[D,B,W][Blank,M]DPG	Premium
		5000K	YES	PTMCP0360W27V50K[D,B,W][Blank,M]DPG	Premium

DIMENSION

unit: inch/mm

Weight: 30W: 5.29lb
45W: 5.4lb
60W: 5.73lb



Weight: 30W: 5.576lb
45W: 5.686lb
60W: 6.016lb

