

DATA SHEET: LED TROFFER (CCT AND POWER CHANGEABLE)

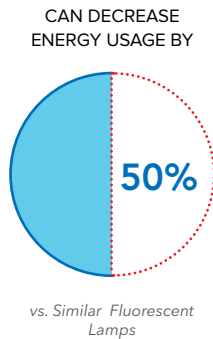
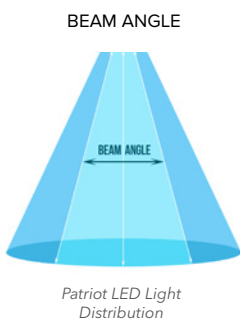
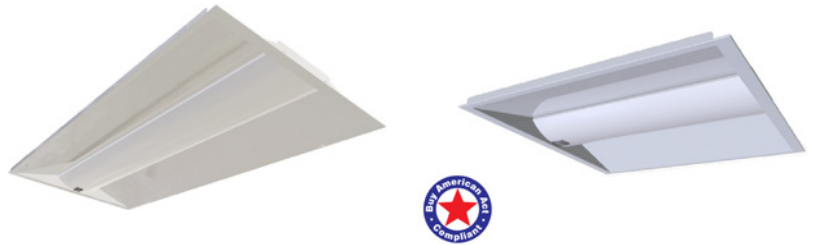
DESCRIPTION

The Patriot LED Troffer Fixture is typically used to retrofit 2x2 and 2x4 fluorescent troffers. The LED Troffer Fixtures are designed to retrofit in drop ceilings in office, school, showroom, airport, retail locations, and healthcare facilities. The Fixture utilizes an ultra-modern design with an industry leading 135 lumens per watt.

Our LED Troffer Fixture are backed with our industry-leading 100,000-hour rated lamp life and 10-year warranty. See Ordering Model table below for our BAA compliant products. Contact us for pricing or more information.

PRODUCT FEATURES

- Quick installation in under five minutes.
- External UL Listed Class-2 Constant Current Driver.
- Comes with mounting bracket.
- Suitable for damp locations.
- Minimize labour and recycling cost.
- Ease of installation and maintenance.
- 0-10V Dimming.
- Emergency battery option available.
- Certifications: UL Listed E358903.
- Long life LEDs lasting up to 100,000 hours.
- Limited Warranty: 5 year (10yrs optional)



WARRANTY

Our Industry-Leading 10-Year Limited Warranty Guarantees Unsurpassed Quality



ORDERING MODEL

Company Code	SIZE	WATTAGE	TUNABLE	DIMMING	CCT
PP	2'X2' 2'X4'	15W, 25W, 36W, 50W	T	XDZ	3000K 4000K 4500K 5000K
Product Code: Example					
PP-2X2-25WT XDZ					



PRODUCT SPECIFICATION

PRODUCT NO.	BAA/TAA OPTION*	WATTAGE	INPUT VOLTAGE	COLOR TEMP (K)	WATTAGE CHANGE ABLE	LUMENS	POWER EFFICIENCY	CRI	RATED LIFE (HOURS)	BEAM ANGLE	PF
2'X2' - LED TROFFER LIGHT (CCT AND POWER CHANGEABLE)											
PP-2X2-25WT XDZ	Yes	25W	AC100-277V	3000K/4000K/4500K/5000K	25/20/15/10W	3400	>135 LP/W	Ra>80	100,000	120 D	> 0.99
PP-2X2-36WT XDZ	Yes	36W	AC100-277V	3000K/4000K/4500K/5000K	36/25/15/10W	4930	>135 LP/W	Ra>80	100,000	120 D	> 0.99
2'X4' - LED TROFFER LIGHT (CCT AND POWER CHANGEABLE)											
PP-2X4-25WT XDZ	Yes	25W	AC100-277V	3000K/4000K/4500K/5000K	25/20/15/10W	3400	>135 LP/W	Ra>80	100,000	120 D	> 0.99
PP-2X4-36WT XDZ	Yes	36W	AC100-277V	3000K/4000K/4500K/5000K	36/25/15/10W	4930	>135 LP/W	Ra>80	100,000	120 D	> 0.99
PP-2X4-50WT XDZ	Yes	50W	AC100-277V	3000K/4000K/4500K/5000K	20/30/40/50W	6320	>135 LP/W	Ra>80	100,000	120 D	> 0.99

PHYSICAL DATA

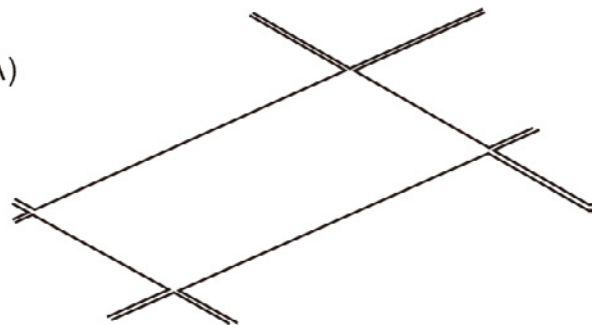
PRODUCT NO.	OPERATION TEMPERATURE	LENGTH (FT)	HOUSING	FREQUENCY	LED Type	DIMMABLE
2'X2' - LED TROFFER LIGHT (CCT AND POWER CHANGEABLE)						
PP-2X2-25WT XDZ	30°C to 40°C	2'x2'	Steel+PC	50/60Hz	SMT 2835	0-10V
PP-2X2-36WT XDZ	30°C to 40°C	2'x2'	Steel+PC	50/60Hz	SMT 2835	0-10V
2'X4' - LED TROFFER LIGHT (CCT AND POWER CHANGEABLE)						
PP-2X4-25WT XDZ	30°C to 40°C	2'x4'	Steel+PC	50/60Hz	SMT 2835	0-10V
PP-2X4-36WT XDZ	30°C to 40°C	2'x4'	Steel+PC	50/60Hz	SMT 2835	0-10V
PP-2X4-50WT XDZ	30°C to 40°C	2'x4'	Steel+PC	50/60Hz	SMT 2835	0-10V

INSTALLATION INSTRUCTIONS

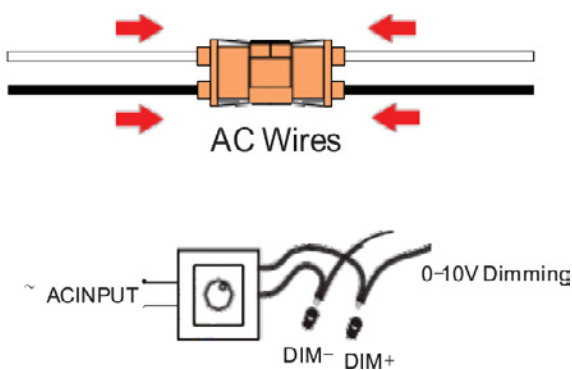
Retrofit Procedures:

- Turn OFF power to the fixture at the breaker panel before installation.
- Open the diffuser from the light fixture.
- Remove the fluorescent tubes and dispose of these properly as they may contain mercury.
- Remove the ballast cover and disconnect host fixture ballast from main.
- Remove existing lamps, door frame (if applicable), reflector and ballast cover. Depending on clearance space, ballast may need to be removed(A).
- Connect AC wires and/or dimming wires (B).
- Recessed the troffer to the ribs of ceiling (C).
- Turn on the power to the lamp is work.

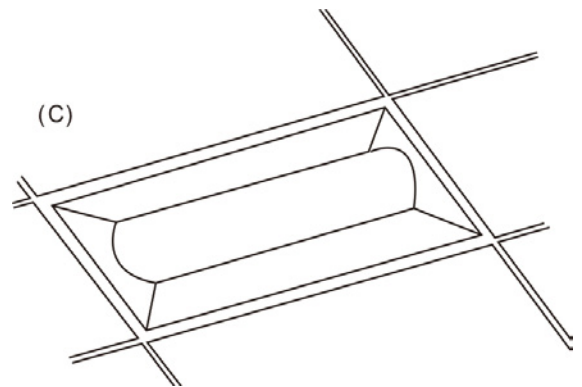
(A)



(B)



(C)



CAUTION

- Risk of fire do not install this lamp in a preheated luminaire.
- Risk of electric shock make installation with gloves.
- Access above ceiling required. DO NOT cover fixture with insulation liner or similar material.
- These lamps are to be used with a light dimmer.
- If the lamp or luminaire exhibits undesirable operation (i.e. buzzing, flickering, etc.), immediately turn off power and remove the lamp from luminaire and contact manufacturer.
- Do not make mass installation before sample testing.

DIMENSIONS

