

DATA SHEET: TRADITIONAL HIGH BAY (RATED IP54, METAL HALIDE REPLACEMENT)

PRODUCT DESCRIPTION

The PATRIOT LED TRADITIONAL HIGH BAY is an ideal replacement for metal halide. The thermal management from the fine type aluminum heat sink enables the lumen efficacy to be higher. Our PATRIOT TRADITIONAL HIGH BAYS are backed with our industry-leading 100,000-hour rated lamp life and 10-year warranty. See Ordering Model table below for our BAA compliant products. Contact us for pricing or more information.

PRODUCT BENEFITS

- Phase change heat sink.
- Nichia 3030.
- Multiple mounting options.
- Rated IP54.
- 3-Dimension heat dissipation.
- Ease of installation and maintenance.
- Can work with motion sensors.
- Long life LEDs lasting up to 100,000 hours.
- Limited Warranty: 5 year (10yrs optional).



TECHNICAL DATA

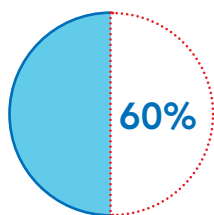
- CCT: 4000K, 5000K.
- Beam Angle: 44°/90°/120° Degrees.
- Color Rendering Index (CRI): >80.
- Operation Temperature: -25°C to 45°C.
- Efficiency: >130LPW.
- Universal voltage: 120V-277V applications.
- Input Frequency: 50/60Hz.
- High power factor: ≥.95.
- Driver: Mean Well HBG Driver.
- Dimming: 0-10V.

BEAM ANGLE



Patriot LED Light Distribution

CAN DECREASE ENERGY USAGE BY



vs. Similar Fluorescent Lamps

WARRANTY



Our Industry-Leading 10-Year Limited Warranty Guarantees Unsurpassed Quality



ORDERING MODEL

PATRIOT TUBE	TUBE TYPE	WATTAGE	INPUT TYPE	BEAM ANGLE	CCT
PT	H	80W, 100W, 150W, 200W, 240W	MDZ	45°/90°/120°	4000K 5000K
Product Code: Example					
PT-H80W-MDZ 4000K					

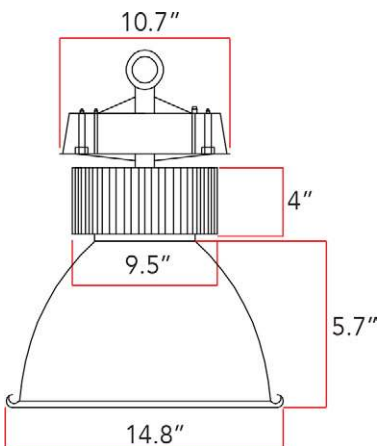
PRODUCT SPECIFICATION

Product No.	BAA/TAA Option*	Rated Lamp Wattage	Input Voltage	Color Temp (K)	Rated Lumens	LED Type	CRI	Rated Life (Hours)	Operating Temperature	Efficacy	Power Factor
LED TRADITIONAL HIGH BAY											
PT-H80W-MDZ	Yes	80W	120V -277V, 50/60 Hz	4000K/5000K	10660	Nichia 3030	>80	100,000hrs	-20°C to 45 °C	>130LPW	>.90
PT-H100W-MDZ	Yes	100W	120V -277V, 50/60 Hz	4000K/5000K	12900	Nichia 3030	>80	100,000hrs	-20°C to 45 °C	>130LPW	>.90
PT-H150W-MDZ	Yes	150W	120V -277V, 50/60 Hz	4000K/5000K	19350	Nichia 3030	>80	100,000hrs	-20°C to 45 °C	>130LPW	>.90
PT-H200W-MDZ	Yes	200W	120V -277V, 50/60 Hz	4000K/5000K	26400	Nichia 3030	>80	100,000hrs	-20°C to 45 °C	>130LPW	>.90
PT-H240W-MDZ	Yes	240W	120V -277V, 50/60 Hz	4000K/5000K	31680	Nichia 3030	>80	100,000hrs	-20°C to 45 °C	>130LPW	>.90

PHYSICAL DATA

Product No.	Housing	Driver	Certification	Dimensions	Material Usage	Environment
LED TRADITIONAL HIGH BAY						
PT-H80W-MDZ	Aluminum	Mean Well HBG Driver	DLC® Certied, UL Classied	15" ø	RoHS Compliant; no mercury	Dry & Damp
PT-H100W-MDZ	Aluminum	Mean Well HBG Driver	DLC® Certied, UL Classied	15" ø	RoHS Compliant; no mercury	Dry & Damp
PT-H150W-MDZ	Aluminum	Mean Well HBG Driver	DLC® Certied, UL Classied	15" ø	RoHS Compliant; no mercury	Dry & Damp
PT-H200W-MDZ	Aluminum	Mean Well HBG Driver	DLC® Certied, UL Classied	15" ø	RoHS Compliant; no mercury	Dry & Damp
PT-H240W-MDZ	Aluminum	Mean Well HBG Driver	DLC® Certied, UL Classied	15" ø	RoHS Compliant; no mercury	Dry & Damp

DIMENSION



INSTALLATION

Mounting Procedure:

1. Turn OFF power at the breaker panel before installation.
2. Hook the loop and make sure the loop is securely screwed into the luminaire (A).
3. Use the buckles to fix the safety rope with the body and hook (A).
4. Connect the AC wires and/or dimming wires.
5. Switch ON power to the fixture at the breaker panel.

