

PROJECT NAME:

PRODUCT NUMBER:

NOTES:

FIXTURE SCHEDULE:



## LED Luminaire Retrofit Kit



### ADVANTAGE

- UL cUL certificate
- PHILIPS Chip, SUNON fan
- High CRI
- Mean Well IP65 driver, Input voltage 100-277VAC
- No UV or IR in the beam
- Easy to install and operate
- Energy saving, long service life
- Light is soft and uniform, safe to eyes
- Instant start, NO flickering, NO humming
- Green and eco-friendly without mercury.
- Lighting the way to your site and maximum savings.
- The Flexibility and Safety you Desire, varieties of color temperature and wattage.

### TECHNICAL DATA

- Lighting Efficiency: More than 110 lumens/Watt
- Power Factor: More than 0.98
- CRI>80
- 5-10 years warranty
- Input Voltage: AC100-277/200-480V
- LED Brand: PHILIPS
- Viewing Angle: 120 Degree
- Lumen: 8000-10800LM
- 80% more energy saving compared with halogen lamp.

### APPLICATION

Widely used in outdoor Pole/Arm-mounted Area and Roadway Luminaires, Factory, Office, Workshop, Warehouse, Restaurant, Logistics Center, Exhibition Hall, Gymnasium, Supermarket, other places where need indoor illumination.

### CERTIFICATIONS



### ORDERING MODEL

PATRIOT TUBE	CCT	CRI	VOLTAGE	WATTAGE	LUMEN
PT	4000K 4500K 5000K 5700K	>80	100-277VAC 50/60Hz	60W, 80W 100W 120W 150W 200W	8000-10800LM
Product Code: example					
PT-SRT-80W					

171 N Aberdeen St, Chicago, IL 60607

Ph: (866) 258.0592, (312) 470.8058 | contact@alg-USA.com | www.patriotled.com

Rvs: 3.08.18

Pg. 1 of 4



PRODUCT SPECIFICATION

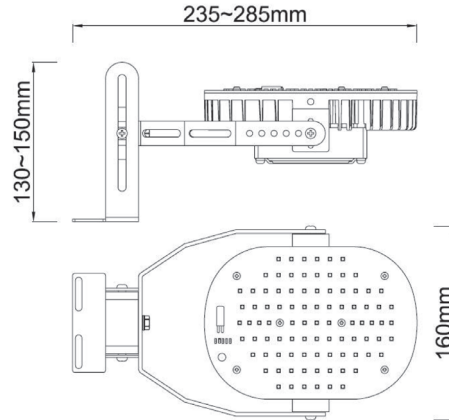
ITEM	SPECIFICATION	
GENERAL PERFORMANCE	Model No.	PT-SRT-80W
	Power Consumption	80W
	CRI	> 80
	Beam Angle	120°
	Dimension	(235-285) *160* (130-150) mm
	CCT	4000K-5700K
	Efficiency	More than 110 lumens/Watt
	Equivalent	600W incandescent / 180W CFL
	Operating Temperature	-20° TO 45°C
	Operating Humidity	20° TO -90° RH
	Storage Temperature	-30° TO 80° C
	Storage Humidity	10%-95%
ELECTRICAL	InPut Voltage	100-277VAC 50/60Hz
	Frequency	50/60Hz
	PF	>0.9
	Driver	CEN-100-24( Mean Well Driver )
	LED QTY	90 PCS
	LED Type	3030, 1.5W
	Waterproof Rating	IP40
CERTIFICATION	Certification	UL, cUL
	Housing	Aluminum
	Housing color	Gray
	LED Brand	PHILIPS
	Warranty	5 Years/10 Years Option



MODEL NO. WITH POWER CONSUMPTION						
Model	Input Power	Lumens	Dimension	Driver model	Equivalent	LED QTY
PT-SRT-60W	60W	8000-10800LM	(235-285) *160* (130-150) mm	CEN-100-24( Mean Well Driver )	600W incandescent / 180W CFL	90 PCS
PT-SRT-80W	80W	8000-10800LM	(235-285) *160* (130-150) mm	CEN-100-24( Mean Well Driver )	600W incandescent / 180W CFL	90 PCS
PT-SRT-100W	100W	10000-13500LM	(235-285) *160* (130-150) mm	HLG-120H-24B ( Mean Well Driver )	800W incandescent / 250W CFL	111 PCS
PT-SRT-120W	120W	12000-16200LM	(235-285) *160* (130-150) mm 175*160* (195-270) mm	HLG-150H-24B ( Mean Well Driver )	900W incandescent / 300W CFL	138 PCS
PT-SRT-150W	150W	15000-20250LM	(325-355) *182* (130-160) mm	HLG-150H-48B ( Mean Well Driver )	1200W incandescent / 350W CFL	175 PCS
PT-SRT-200W	200W	20000-27000LM	(325-355) *182* (130-160) mm 265*182* (225-295) mm	HLG-240H-54B ( Mean Well Driver )	1500W incandescent / 500W CFL	245 PCS
PT-SRT-240W	240W	24000-32000LM	(325-355) *182* (130-160)mm	HLG-240H-48B( Mean Well Driver )	1800W incandescent / 550W CFL	273 PCS
PT-SRT-320W	320W	30000-39000LM	(380-445) *260* (130-160) mm	HLG-320H-48B( Mean Well Driver )	2500W incandescent / 700W CFL	350 PCS
PT-SRT-400W	400W	40000-50000LM	(380-445) *260* (130-160) mm	HLG-240H-54B*2 ( Mean Well Driver )	3000W incandescent / 900W CFL	490 PCS

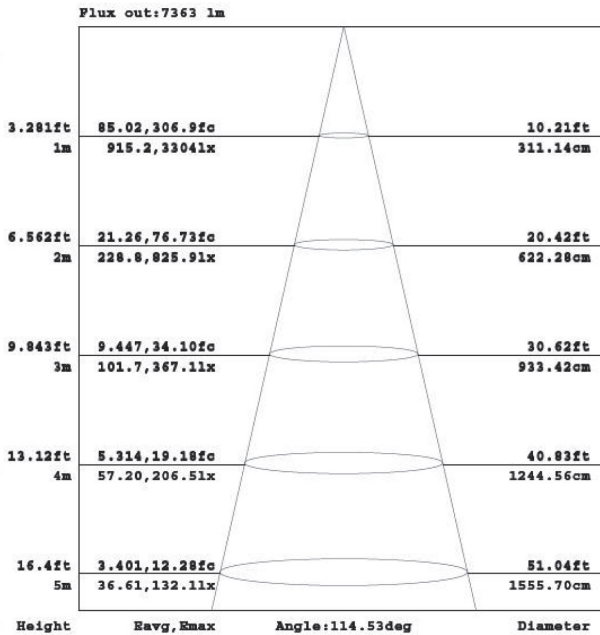
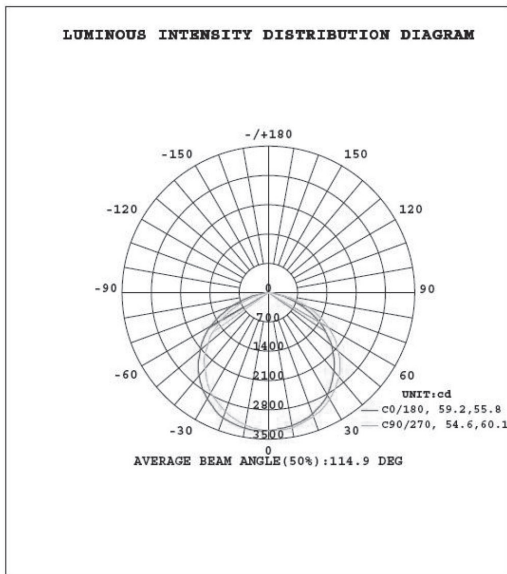


**DIMENSION**



**LIGHT DISTRIBUTION TESTING PARAMETERS**

DATA OF LAMP		PHOTOMETRIC DATA Effic: 112.59 lm/W			
MODEL	ZY-SRT-80W	K Imax (cd)	3308	S/MH (C0/180)	1.32
NOMINAL POWER (W)	80	LOR (%)	100.0	S/MH (C90/270)	1.25
RATED VOLTAGE (V)	120	TOTAL FLUX (lm)	9402.5	η UP, DN (C0-180)	0.0, 52.3
NOMINAL FLUX (lm)	9402.49	CIE CLASS	DIRECT	η UP, DN (C180-360)	0.1, 47.6
LAMPS INSIDE	1	η up (%)	0.1	CIBSE SHR NOM	1.25
TEST VOLTAGE (V)	120.0	η down (%)	99.9	CIBSE SHR MAX	1.35



171 N Aberdeen St, Chicago, IL 60607

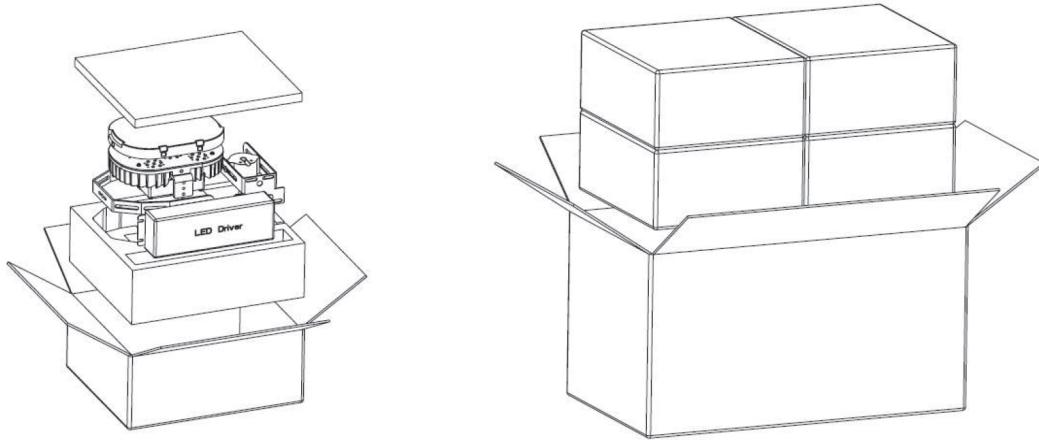
Ph: (866) 258.0592, (312) 470.8058 | contact@alg-USA.com | www.patriotled.com

Rvs: 3.08.18

Pg. 3 of 4



**INSTALLATION**



**Notice For U**

- ◆ Please turn off power before install or change assembly parts.
- ◆ The input voltage and lamps should be matched, after connecting the power line, Please make sure the wiring section is insulated.
- ◆ No-professionals, must not install and disassemble the lamps.

**Trouble Shootings**

Troubles	Check points
Flickering of the light	Turn off the power and turn on again in 3 minutes. If same phenomena occur, then call agencies
Out of working	Please check the connection

