

DATA SHEET: FLOOD LIGHT GENERATION-2 (PT-FD)

Patriot LED Flood lights Generation-2 provide high-intensity lighting to a wide variety of spaces, from parking lots to warehouses, stadiums, billboards, monuments, and more. Our commercial-grade Generation-2 LED flood lights provide a dynamic range and coverage area to highlight certain features in any given space.

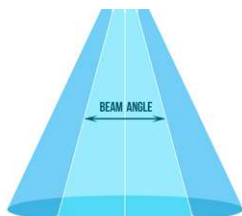
Our Patriot LED Flood lights Generation-2 are backed with our industry-leading more than 100,000-hour rated lamp life and 10-year warranty. See Ordering Model table below for our BAA compliant products. Contact us for pricing or more information.

PRODUCT BENEFITS

- Rugged aluminum housing with UV resistant powder coat finish offers outstanding corrosion protection.
- Fixture power consumption are 140 and 200W only, comparing 320W and 400W MH.
- Available with trunnion or slipfitter mounting kit.
- Long life LEDs lasting up to 100,000hours.
- Fixtures are IP66 rated and suitable for use in ambients from -40°C to 45 °C (-40°F to 113°F).
- UL /cUL wet location listed and DLC premium qualified.
- Limited Warranty: 5 years (10yrs optional).

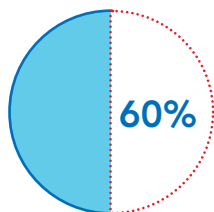


BEAM ANGLE



Patriot LED Light Distribution

CAN DECREASE ENERGY USAGE BY



vs. Similar Fluorescent Lamps

WARRANTY



Our Industry-Leading 10-Year Limited Warranty Guarantees Unsurpassed Quality

APPLICATIONS

- Facade.
- Wall Washing.
- Landscape lighting.
- Poster board lighting.
- Building lighting.



ORDERING MODEL

FIXTURE TYPE (PT-FD)	WATTAGE	VOLTAGE	CCT	CRI	FINISH	NEMA	PHOTOCELL (OPTION)	SURGE PROTECTION (OPTION)
PT-FD Dimetric Flood Light	140 = 140W 200 = 200W 145 = 145W 205 = 205W	27V = 120-277V 48V = 347/480V	40K 4000K 50K 5000K	B=70CRI	D Dark Bronze	B76=7Hx6V	(Blank)=No Photocell P1=120V Photocell P0=120-277V Photocell	S=Surge protection (Blank)=No Surge protection
Product Code: Example								
PT-FD 200W 27V 50K Y Y Y Y Y								

- Note:**
1. Input voltage may vary depends on photocell configuration
 2. Grid guard is available for all size
 3. The Watt is 140W when the voltage is 120-277V, while when it is 347V, the watt is 145W.
 4. The Watt is 200W when the voltage is 120-277V, while when it is 347V, the watt is 205W.

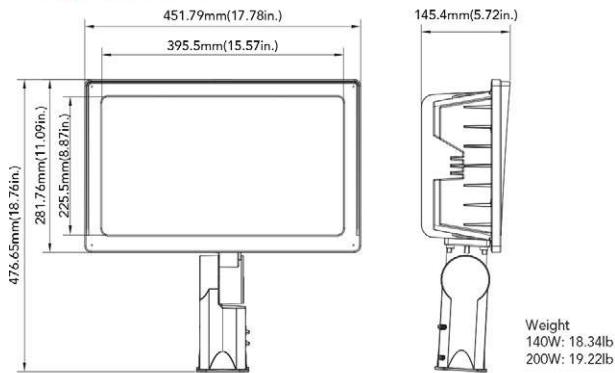
PRODUCT SPECIFICATION

Product No.	BAA/TAA Option*	Watts	VOLTAGE	NEMA	4000K (70CRI)		5000K (70CRI)	
					Lumens	LPW	Lumens	LPW
PT-FD 140W 27V 50K Y Y Y Y Y	Yes	140W	120-277VAC	7Hx6V	16400lm	117 lm/W	16700lm	119 lm/W
PT-FD 145W 27V 50K Y Y Y Y Y	Yes	145W	347/480VAC	7Hx6V	23400lm	117 lm/W	24000lm	120 lm/W
PT-FD 200W 27V 50K Y Y Y Y Y	Yes	200W	120-277VAC	7Hx6V	16400lm	113 lm/W	16700lm	115 lm/W
PT-FD 205W 27V 50K Y Y Y Y Y	Yes	205W	347/480VAC	7Hx6V	23400lm	114 lm/W	24000lm	117 lm/W

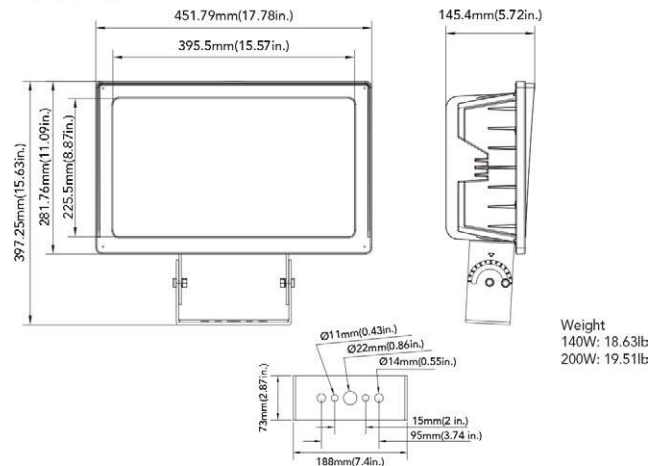
DIMENSIONS

unit: mm/inch

Slipfitter Mount



Trunnion Mount



MOUNTING

Slipfitter Mount

Die-cast aluminum slipfitter mounts on 2 3/8" to 3" O.D. tenon easily.



Trunnion Mount

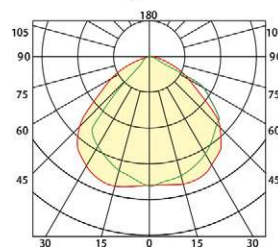
Die-cast aluminum trunnion is easily adapted to many surfaces and allows easy fixture aiming angles.



MOUNTING

PTD140W27V50KBDB76

Luminous Intensity Distribution Curve



PTD200W27V50KBDB76

Luminous Intensity Distribution Curve

