

DATA SHEET: ALL IN ONE SOLAR STREET LIGHT (T Series)

Patriot Solar Street Lights (T Series) are widely used in the roads, streets, and factories, park roads, rurals, mountainous areas and the remote areas lighting projects, courtyards, schools, square and other need to place for outdoor lighting.

PRODUCT BENEFITS

- Unique Innovative Design, unique lens.
- Germany Imported solar panel.
- High Efficacy Lumileds chips.
- Intelligent PIR motion sensor.
- Battery pack replaceable without opening the lamp.
- Angle adjustable 0 degree, 15 degree, 30 degree, to 45 degree.
- All in one aviation aluminum extruded housing, strong overall structure.
- Battery separated from lamp body, no heat from light source will affect the battery, ensure longer battery life.
- Certification: UL, cUL,DLC V4.2 and Lighting Facts.
- Rated Life: 100,000 hrs.
- Limited Warranty: 5 years (10yr optional)



Battery separated from lamp body, no heat from light source will affect the battery, ensure longer battery life.

Intelligent controller can fit PIR sensor or microwave sensor,ensure the effective lighting.



Lamp angle can be adjusted from 0 degree,15degree,30degree,to 45 degree.



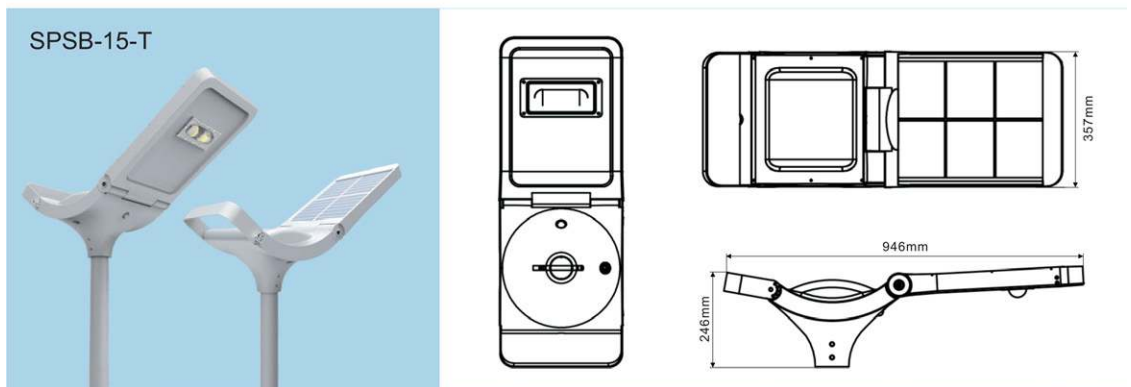
PRODUCT SPECIFICATION

Product No.	BAA/TAA Option	Rated Lamp Wattage	Color Temp (K)	Solar Panel	Battery	Lighting Efficacy	Operating Time	Back up Time	Rated life (hours)	Adjustable Angle	Beam Angle	Operating Temp
PATRIOT ALL IN ONE SOLAR STREET LIGHT												
PT-SPSB-15-T	Yes	15W	5000K/6500K	20W	111WH	1800LM	First 3H: 1800lm, last 9H in dim mode (1200lm PIR sensor activated, 500lm sensor not activated).	3 Nights	100,000 hrs	-50° to 45°	145°X65°	-10°C to 60°C
PT-SPSB-25-T	Yes	25W	5000K/6500K	35W	222WH	3600LM	First 3H: 3600lm, last 9H in dim mode (2500lm PIR sensor activated, 700lm sensor not activated).	3 Nights	100,000 hrs	-50° to 45°	145°X65°	-10°C to 60°C
PT-SPSB-35-T	Yes	35W	5000K/6500K	55W	388.5WH	5400LM	First 3H: 5400lm, last 9H in dim mode (4000lm PIR sensor activated, 1000lm sensor not activated).	3 Nights	100,000 hrs	-50° to 45°	145°X65°	-10°C to 60°C
PT-SPSB-45-T	Yes	45W	5000K/6500K	60W	444WH	7200LM	First 3H: 7200lm, last 9H in dim mode (5000lm PIR sensor activated, 1500lm sensor not activated).	3 Nights	100,000 hrs	-50° to 45°	145°X65°	-10°C to 60°C
PT-SPSB-60-T	Yes	60W	5000K/6500K	80W	583WH	9000LM	First 3H: 9000lm, last 9H in dim mode (6000lm PIR sensor activated, 2000lm sensor not activated).	3 Nights	100,000 hrs	-50° to 45°	145°X65°	-10°C to 60°C

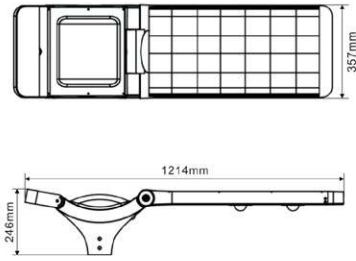
PHYSICAL DATA

Product No.	Solar Panel Conversion Rate	Installation Height	Warranty	Charging Time	Waterproof Rate	Certification	G.W(KGS)	N.W(KGS)
PATRIOT ALL IN ONE SOLAR STREET LIGHT								
PT-SPSB-15-T	≥18%	4-6m	5 years (10 years optional)	10 to 11 hours	IP66	DLC® Qualified, UL Classied, NSF	15.8	16.8
PT-SPSB-25-T	≥18%	4-6m	5 years (10 years optional)	10 to 11 hours	IP66	DLC® Qualified, UL Classied, NSF	19.15	20.65
PT-SPSB-35-T	≥18%	4-6m	5 years (10 years optional)	10 to 11 hours	IP66	DLC® Qualified, UL Classied, NSF	28.75	30.75
PT-SPSB-45-T	≥18%	6-8m	5 years (10 years optional)	10 to 11 hours	IP66	DLC® Qualified, UL Classied, NSF	30.83	34.06
PT-SPSB-60-T	≥18%	6-8m	5 years (10 years optional)	10 to 11 hours	IP66	DLC® Qualified, UL Classied, NSF	33	36.5

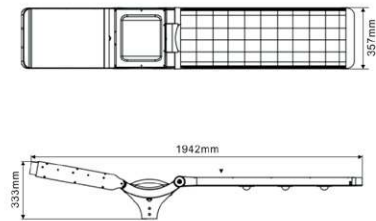
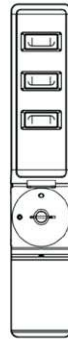
PRODUCT DIMENSION



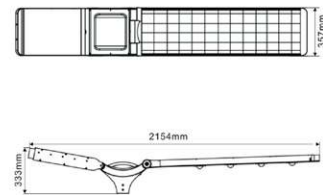
SPSB-25-T



SPSB-35-T



SPSB-45-T



SPSB-60-T

