

# DATA SHEET: ALL IN ONE SOLAR STREET LIGHT (EBM SERIES)

Patriot Solar Street Lights (EBM SERIES) are widely used in the roads, streets, and factories, park roads, rurals, mountainous areas and the remote areas lighting projects, courtyards, schools, square and other need to place for

## PRODUCT BENEFITS

- Unique design , strong extruded lamp body.
- 60 C high temperature protected, replaceable solar battery pack.
- Germany Imported, 18% conversion rate solar panel.
- Adjustable multiple installation angles.
- 180lm/W high lumen Seoul/Nichia LED chip,157\*60 degree wide beam angle.
- 3 nights rainy days backup, programmable DIM mode brightness.
- Rated Life: 100,000 hrs
- Warranty 5 year (10yrs optional).



## PRODUCT SPECIFICATION

Product No.	BAA/ TAA Option	Rated Lamp Wattage	Color Temp (K)	Solar Panel	Battery	Lighting Efficacy	DIM Mode	Working Time	Charging Time	Lamp Angle	Beam Angle	LED Chip
<b>PATRIOT ALL IN ONE SOLAR STREET LIGHT (EBM SERIES)</b>												
PT-SPSEB-25	Yes	25W	5000K/6500K	25W	222WH	3600lm	First 3 hours: full brightness, Last 9 hours in dimmable mode 2500lm with people, 700lm without people)	Bright mode: 18 hours; DIM mode: 36 hours ( 3 rainy days backup)	10-11 hours(6-7 hours full bright sun)	Adjustable multiple angles	157*60 degree	Seoul/Nichia
PT-SPSEB-35	Yes	35W	5000K/6500K	55W	388.5WH	5400lm	First 3 hours: full brightness, Last 9 hours in dimmable mode 4000lm with people, 1000lm without people)	Bright mode: 18 hours; DIM mode: 36 hours ( 3 rainy days backup)	10-11 hours(6-7 hours full bright sun)	Adjustable multiple angles	157*60 degree	Seoul/Nichia
PT-SPSEB-45	Yes	45W	5000K/6500K	60W	444WH	7200lm	First 3 hours: full brightness, Last 9 hours in dimmable mode 5000lm with people, 1500lm without people)	Bright mode: 18 hours; DIM mode: 36 hours ( 3 rainy days backup)	10-11 hours(6-7 hours full bright sun)	Adjustable multiple angle	157*60 degree	Seoul/Nichia
PT-SPSEB-60	Yes	60W	5000K/6500K	80W	583WH	9400lm	First 3 hours: full brightness, Last 9 hours in dimmable mode (6000lm with people, 2000lm without people)	Bright mode: 18 hours; DIM mode: 36 hours ( 3 rainy days backup)	10-11 hours(6-7 hours full bright sun)	Adjustable multiple angle	157*60 degree	Seoul/Nichia

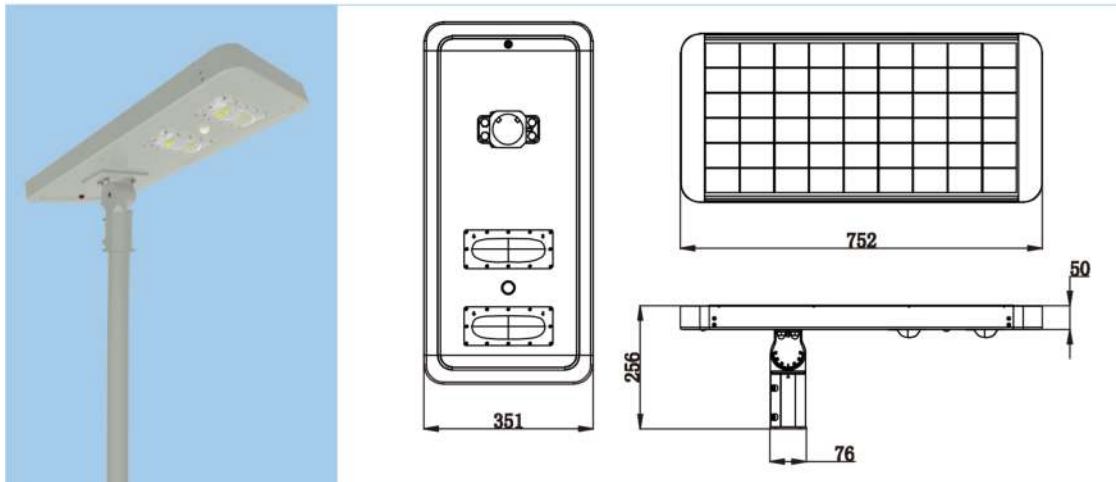


## PHYSICAL DATA

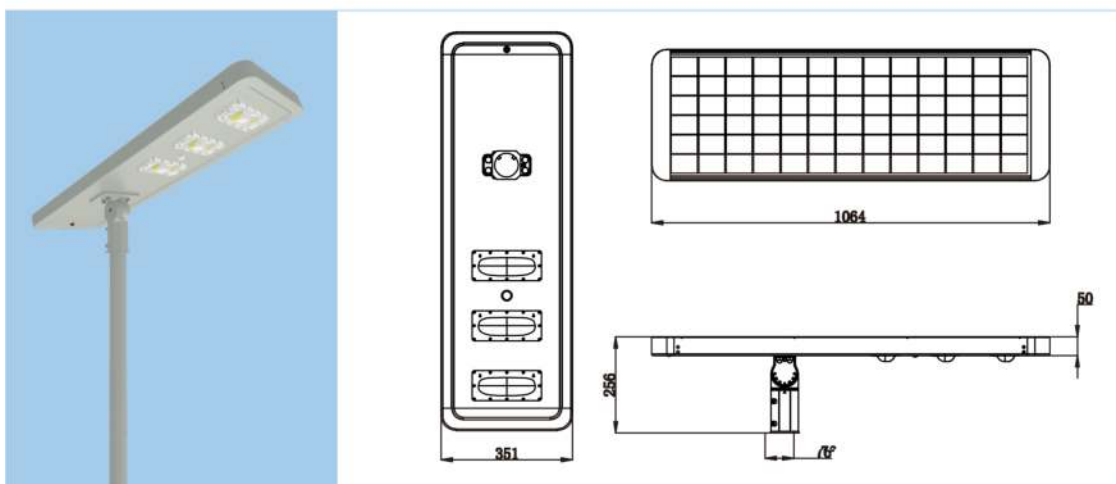
Product No.	Solar Panel Conversion Rate	Recommended Installation Height	Recommended Installation Distance	Required Pole Size	Working Temperature	Certification	Rated Life (Hours)	Warranty
<b>PATRIOT ALL IN ONE SOLAR STREET LIGHT</b>								
PT-SPSEB-25	18%	4-6 meters	25 meters	60mm(top end)	-20 degree to 60 degree	DLC® Qualified, UL Classied, NSF	100,000	5 year (10yrs optional)
PT-SPSEB-35	18%	4-6 meters	25 meters	60mm(top end)	-20 degree to 60 degree	DLC® Qualified, UL Classied, NSF	100,000	5 year (10yrs optional)
PT-SPSEB-45	18%	6-8 meters	25 meters	60mm(top end)	-20 degree to 60 degree	DLC® Qualified, UL Classied, NSF	100,000	5 year (10yrs optional)
PT-SPSEB-60	18%	8-10 meters	25 meters	60mm(top end)	-20 degree to 60 degree	DLC® Qualified, UL Classied, NSF	100,000	5 year (10yrs optional)

## PRODUCT APPEARANCE

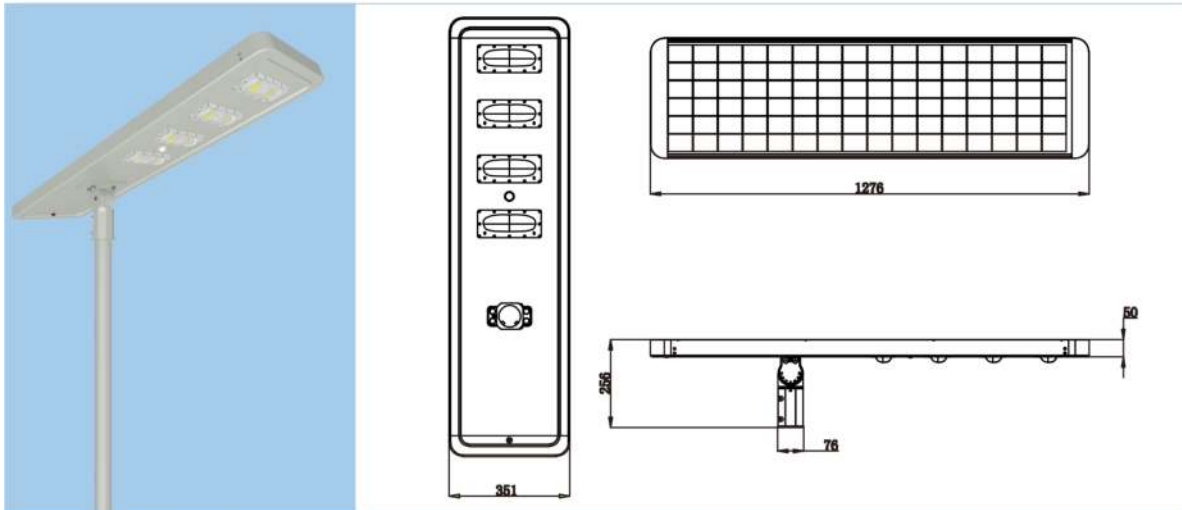
PT-SPSEB-25



PT-SPSEB-35



PT-SPSEB-45



PT-SPSEB-60

