

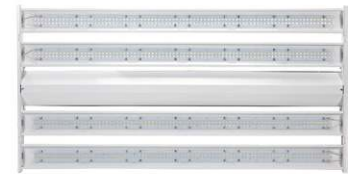
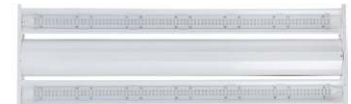
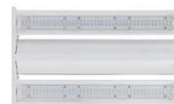
DATA SHEET: LED LINEAR HIGH BAY GEN-2 (MLH01)

The PATRIOT LINEAR HIGH BAY GENERATION-2 serves as general illumination typically used as a replacement solution for fluorescent linear high bays. High fixture efficacy up to 150lm/W.

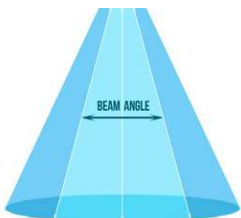
Our GENERATION-2 LINEAR HIGH BAY LIGHTS are ballast ready for easy installation and are backed with our industry-leading 100,000-hour rated lamp life and 10-year warranty. See Ordering Model table below for our BAA compliant products. Contact us for pricing or more information.

PRODUCT BENEFITS

- Offering quality lighting and excellent energy savings compared to linear fluorescent and HID highbay fixtures.
- Voltage is 120-277V & 347V/480V.
- Lumen output from 13500-60000lm with efficacy up to 150lm/W.
- PIR Sensor optional and supports Emergency Battery.
- Standard 0-10V dimming.
- Chain or pendant mounting available.
- Operating temperature is -40°C to 55°C (-40°F to 131°F).
- UL/cUL damp location and DLC qualified.
- Limited Warranty : 5 year (10yrs optional).
- Projected life span of 100,000 hrs.

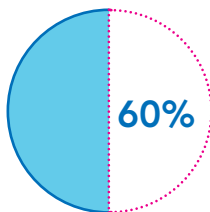


BEAM ANGLE



Patriot LED Light Distribution

CAN DECREASE ENERGY USAGE BY



vs. Similar Fluorescent Lamps

WARRANTY



Our Industry-Leading 10-Year Limited Warranty Guarantees Unsurpassed Quality

APPLICATIONS

- Suitable for commercial.
- Retail and institutional applications.
- Gymnasiums.
- Factories and warehouses.

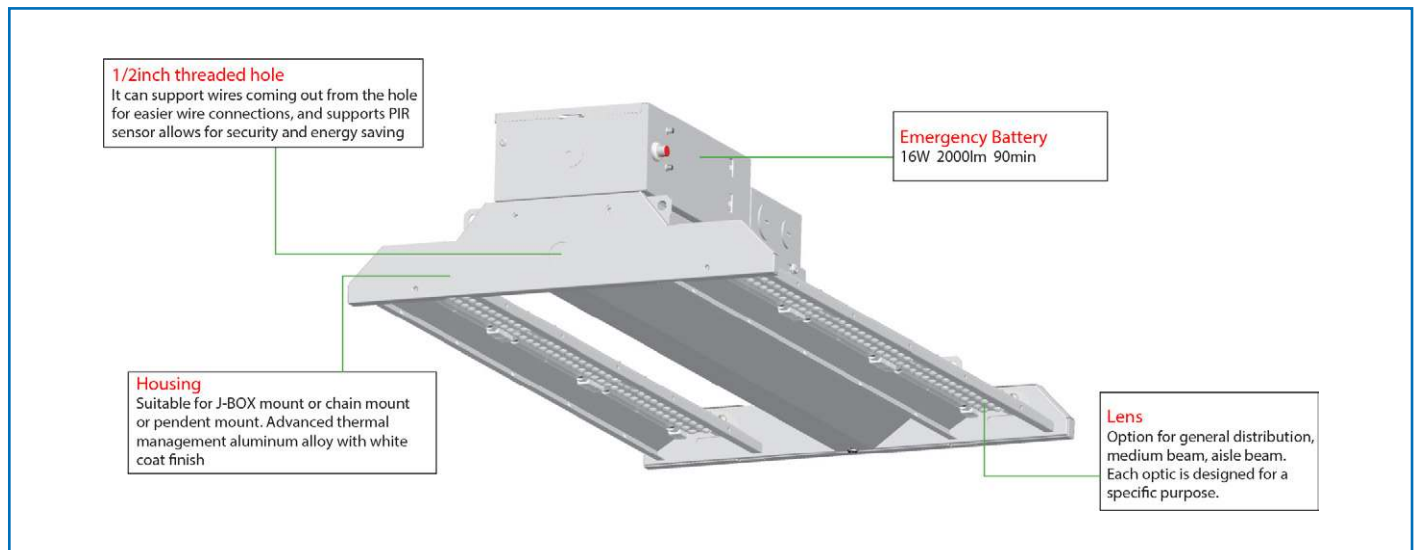


ORDERING MODEL

FIXTURE TYPE	SIZE	WATTAGE	VOLTAGE	CCT	CRI	SENSOR (OPTION)	DIFFUSER	BACKUP BATTERY(OPTION)
HBL = Linear High Bay	22D = 2FT*2FT 24D = 2FT*4FT 12D = 1FT*2FT 14D = 1FT*4FT	95 = 95W 130 = 130W 160 = 160W 170 = 170W 200 = 200W 220 = 220W 250 = 250W 320 = 320W 350 = 350W 400 = 400W 420 = 420W	127V=120-277V 48V=347V-480V	40K 4000K 50K 5000K	B ≥ 70	M Motion Sensor Blank WithoutSensor	MD=Medium Lens	B = Emergency Battery Blank = Without Emergency Battery
Product Code: Example								
Example: HBL12D95W27V40KBMMDB								

PRODUCT SPECIFICATION

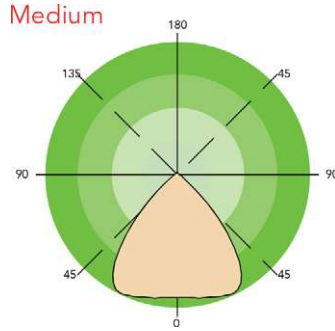
PRODUCT NO.	BAA/TAA OPTION*	WATTS	VOLTAGE	CRI	4000K		5000K	
					LUMENS	LPW	LUMENS	LPW
1X2 FT LED LINEAR HIGH BAY GEN-2								
HBL12D95W27V40KBMMDB	Yes	95W	120-277VAC	70	13500lm	142lm/W	13800lm	145lm/W
HBL12D110W27V40KBMMDB	Yes	110W	347/480VAC	70	14800lm	135lm/W	15100lm	137lm/W
HBL12D130W27V40KBMMDB	Yes	130W	120-277VAC/347-480V	70	18100lm	139lm/W	18500lm	142lm/W
1X4 FT LED LINEAR HIGH BAY GEN-2								
HBL12D160W27V40KBMMDB	Yes	160W	120-277VAC	70	23500lm	147lm/W	24000lm	150lm/W
HBL12D170W27V40KBMMDB	Yes	170W	347/480VAC	70	23900lm	140lm/W	24500lm	144lm/W
HBL12D200WW27V40KBMMDB	Yes	200W	120-277VAC	70	29400lm	147lm/W	30000lm	150lm/W
HBL12D220WW27V40KBMMDB	Yes	220W	347/480VAC	70	30400lm	138lm/W	31000lm	140lm/W
2X2 FT LED LINEAR HIGH BAY GEN-2								
HBL12D160W27V40KBMMDB	Yes	160W	120-277VAC	70	23500lm	147lm/W	24000lm	150lm/W
HBL12D170W27V40KBMMDB	Yes	170W	347/480VAC	70	23900lm	140lm/W	24500lm	144lm/W
2X4 FT LED LINEAR HIGH BAY GEN-2								
HBL12D250W27V40KBMMDB	Yes	250W	120-277VAC/347-480V	70	35200lm	141lm/W	36000lm	144lm/W
HBL12DW32027V40KBMMDB	Yes	320W	120-277VAC	70	47000lm	147lm/W	48000lm	150lm/W
HBL12DW35027V40KBMMDB	Yes	350W	347/480VAC	70	48900lm	140lm/W	50000lm	143lm/W
HBL12DW40027V40KBMMDB	Yes	400W	120-277VAC	70	58700lm	147lm/W	60000lm	150lm/W
HBL12DW42027V40KBMMDB	Yes	420W	347/480VAC	70	59700lm	142lm/W	61000lm	145lm/W



ELECTRICAL DATA

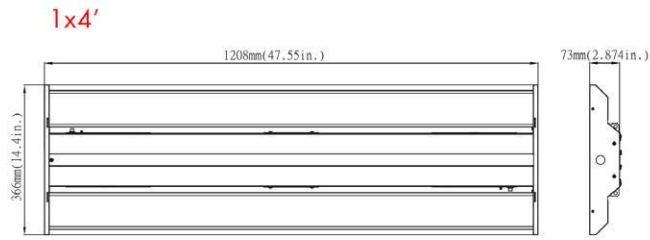
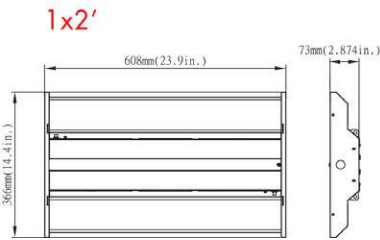
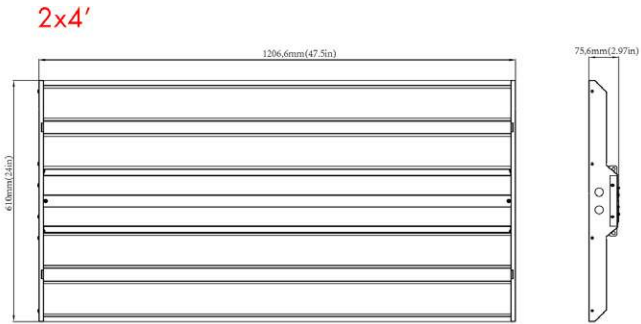
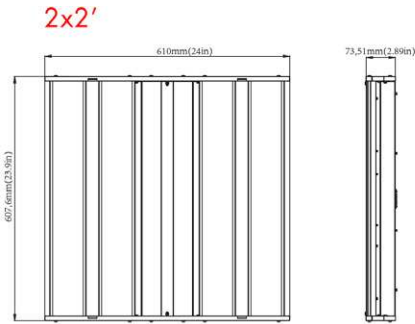
NUMBER OF DRIVERS	DRIVER CURRENT (mA)	NOMINAL POWER (W)	VOLTAGE	CURRENT (Amps)
1	2500	95	120	0.79
		95	208	0.46
		95	240	0.40
		95	277	0.34
2	3280	130	120	1.08
		130	208	0.63
		130	240	0.54
2	3200	130	277	0.47
		130	347	0.37
2	3200	130	480	0.27
		130	480	0.27
2	4280	160	120	1.33
		160	208	0.77
		160	240	0.67
		160	277	0.58
		170	347	0.49
		170	480	0.35
2	5200	200	120	1.67
		200	208	0.96
		200	240	0.83
		200	277	0.72
		220	347	0.63
		220	480	0.46
4	6560	250	120	2.08
		250	208	1.20
		250	240	1.04
		250	277	0.90
4	6400	250	347	0.72
		250	480	0.52
4	8480	320	120	2.67
		320	208	1.54
		320	240	1.33
		320	277	1.16
		350	347	1.01
		350	480	0.73
4	10400	400	120	3.33
		400	208	1.92
		400	240	1.67
		400	277	1.44
		420	347	1.21
		420	480	0.88

PHOTOMETRICS



DIMENSION

unit: inch/mm



DLC MODEL NO.

SYSTEM WATTS	VOLTAGE	CCT	LENS	DLC NO	DLC CLASSIFICATION
95W	120-277V	4000K	Medium Lens	HBL12D95W27V40KB[Blank,M]MD[Blank,B]	Premium
	120-277V	5000K	Medium Lens	HBL12D95W27V50KB[Blank,M]MD[Blank,B]	Premium
160W	120-277V	4000K	Medium Lens	HBL22D160W27V40KH[BLANK M]MD[BLANK B]	Standard
	120-277V	5000K	Medium Lens	HBL22D160W27V50KH[BLANK M]MD[BLANK B]	Standard
170W	347/480V	4000K	Medium Lens	HBL22D170W48V40KHMYDY	Standard
	347/480V	5000K	Medium Lens	HBL22D170W48V50KHMYDY	Standard
320W	120-277V	4000K	Medium Lens	HBL24D320W27V40KH[BLANK M]MD[BLANK B]	Standard
	120-277V	5000K	Medium Lens	HBL24D320W27V50KH[BLANK M]MD[BLANK B]	Standard
350W	347/480V	4000K	Medium Lens	HBL24D350W48V40KHMYDY	Standard
	347/480V	5000K	Medium Lens	HBL24D350W48V50KHMYDY	Standard