

DATA SHEET: LED DIAMOND HIGH BAY

PRODUCT DESCRIPTION

Patriot DIAMOND HIGH BAY is a brand new replacement solution for fluorescent linear high bays in warehouses, garage locations and any other commercial and industrial applications.

Our LED DIAMOND HIGH BAY LIGHTS are backed with our industry-leading 100,000-hour rated lamp life and 10-year warranty. See Ordering Model table below for our BAA compliant products. Contact us for pricing or more information.

PRODUCT BENEFITS

- Suitable for Ceiling Mount or Suspended Mount.
- Ideal for Harsh Environment Applications.
- 135 lumens per watt help to reduce pay back period of energy saving.
- Excellent light distribution and uniformity.
- Stainless Steel Clips.
- Meanwell driver.
- Specialized on the rebate program.
- Environmentally friendly with no mercury.
- Long life LEDs lasting up to 100,000 hours.
- Limited Warranty: 5 year (10yrs optional).

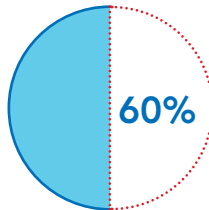


BEAM ANGLE



Patriot LED Light Distribution

CAN DECREASE ENERGY USAGE BY



vs. Similar Fluorescent Lamps

WARRANTY



Our Industry-Leading 10-Year Limited Warranty Guarantees Unsurpassed Quality

TECHNICAL DATA

- Wattage: 80W, 100W, 150W, 165W, 220W, 225W, 250W.
- Lighting Efficiency: More than 130 Lumens/Watt.
- Power Factor: More than 0.98.
- CRI>80.
- Input Voltage: AC100-277V or AC180-480V.
- UL and cUL listed.



ORDERING MODEL

PATRIOT TUBE	LENGTH	CCT	VOLTAGE	WATTAGE	SERIES	WORKING HOURS
PT	S4/S5/S6	3000K, 3500K 4000K, 4500K 5000K, 5700K	AC100-277V or AC180-480V	80W, 100W, 150W, 165W, 220W, 225W, 250W	DH	100,000 hours
Product Code: Example						
PT-S4-100W DH						

"DH"=Product series "Y"=D or N:Dimmable or non-dimmable "Z"= CCT, from 2700~5000K



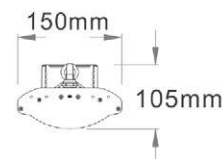
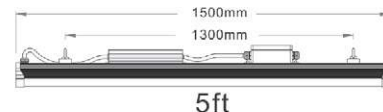
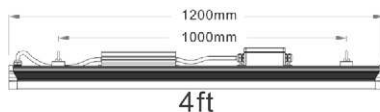
PRODUCT SPECIFICATION

Product No.	BAA/TAA Option*	Rated Lamp Wattage	Input Voltage	Color Temp (K)	Rated Lumens	Power Efficiency	CRI	Rated Life (Hours)	Power Factor	Beam Angle	Operation Temp
4FT LED DIAMOND HIGH BAY											
PT-S4-80W DH	Yes	80W	AC100/277V or AC180/480V	3000K/3500K/4000K/4500K/5000K/5700K	10400	>90%	>80	100,000hrs	0.95	120°	-30°C to 50°
PT-S4-100W DH	Yes	100W	AC100/277V or AC180/480V	3000K/3500K/4000K/4500K/5000K/5700K	13000	>90%	>80	100,000hrs	0.95	120°	-30°C to 50°
PT-S4-150W DH	Yes	150W	AC100/277V or AC180/480V	3000K/3500K/4000K/4500K/5000K/5700K	19500	>90%	>80	100,000hrs	0.95	120°	-30°C to 50°
PT-S4-165W DH	Yes	165W	AC100/277V or AC180/480V	3000K/3500K/4000K/4500K/5000K/5700K	21450	>90%	>80	100,000hrs	0.95	120°	-30°C to 50°
PT-S4-200W DH	Yes	200W	AC100/277V or AC180/480V	3000K/3500K/4000K/4500K/5000K/5700K	26000	>90%	>80	100,000hrs	0.95	120°	-30°C to 50°
PT-S4-225W DH	Yes	225W	AC100/277V or AC180/480V	3000K/3500K/4000K/4500K/5000K/5700K	29250	>90%	>80	100,000hrs	0.95	120°	-30°C to 50°
PT-S4-250W DH	Yes	250W	AC100/277V or AC180/480V	3000K/3500K/4000K/4500K/5000K/5700K	32500	>90%	>80	100,000hrs	0.95	120°	-30°C to 50°
5FT LED DIAMOND HIGH BAY											
PT-S5-80W DH	Yes	80W	AC100/277V or AC180/480V	3000K/3500K/4000K/4500K/5000K/5700K	10400	>90%	>80	100,000hrs	0.95	120°	-30°C to 50°
PT-S5-100W DH	Yes	100W	AC100/277V or AC180/480V	3000K/3500K/4000K/4500K/5000K/5700K	13000	>90%	>80	100,000hrs	0.95	120°	-30°C to 50°
PT-S5-150W DH	Yes	150W	AC100/277V or AC180/480V	3000K/3500K/4000K/4500K/5000K/5700K	19500	>90%	>80	100,000hrs	0.95	120°	-30°C to 50°
PT-S5-165W DH	Yes	165W	AC100/277V or AC180/480V	3000K/3500K/4000K/4500K/5000K/5700K	21450	>90%	>80	100,000hrs	0.95	120°	-30°C to 50°
PT-S5-200W DH	Yes	200W	AC100/277V or AC180/480V	3000K/3500K/4000K/4500K/5000K/5700K	26000	>90%	>80	100,000hrs	0.95	120°	-30°C to 50°
PT-S5-225W DH	Yes	225W	AC100/277V or AC180/480V	3000K/3500K/4000K/4500K/5000K/5700K	29250	>90%	>80	100,000hrs	0.95	120°	-30°C to 50°
PT-S5-250W DH	Yes	250W	AC100/277V or AC180/480V	3000K/3500K/4000K/4500K/5000K/5700K	32500	>90%	>80	100,000hrs	0.95	120°	-30°C to 50°

PHYSICAL DATA

Product No.	Housing	Driver	Certification	Dimensions (LxWxH)	
				4FT	5FT
PT-S4-80W DH	AL and PC	Meanwell Driver or James Driver	UL and cUL listed	1200x150x105	1500x150x105
PT-S4-100W DH	AL and PC	Meanwell Driver or James Driver	UL and cUL listed	1200x150x105	1500x150x105
PT-S4-150W DH	AL and PC	Meanwell Driver or James Driver	UL and cUL listed	1200x150x105	1500x150x105
PT-S4-165W DH	AL and PC	Meanwell Driver or James Driver	UL and cUL listed	1200x150x105	1500x150x105
PT-S4-200W DH	AL and PC	Meanwell Driver or James Driver	UL and cUL listed	1200x150x105	1500x150x105
PT-S4-225W DH	AL and PC	Meanwell Driver or James Driver	UL and cUL listed	1200x150x105	1500x150x105
PT-S4-250W DH	AL and PC	Meanwell Driver or James Driver	UL and cUL listed	1200x150x105	1500x150x105

DIMENSION



INSTALLATION

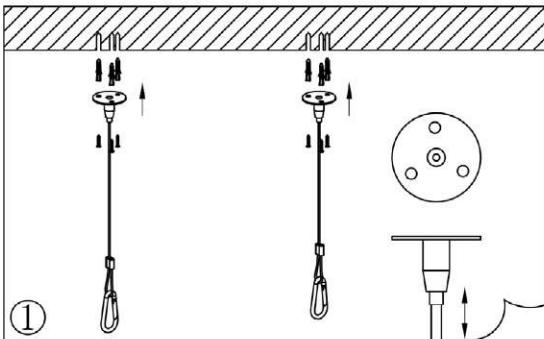
Installation and Electrical Connection



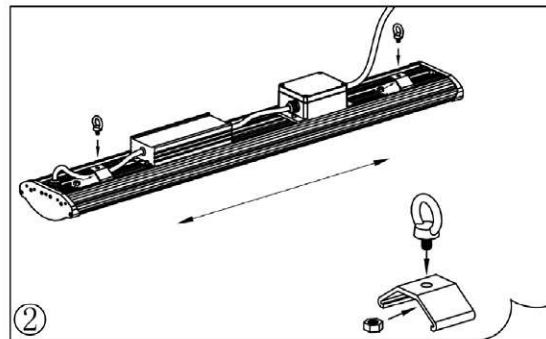
⚠ WARNING

RISK OF FIRE, ELECTRIC SHOCK OR PERSONAL INJURY

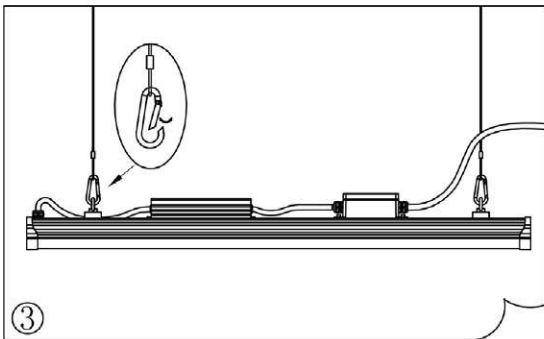
Before installation, turn power off.



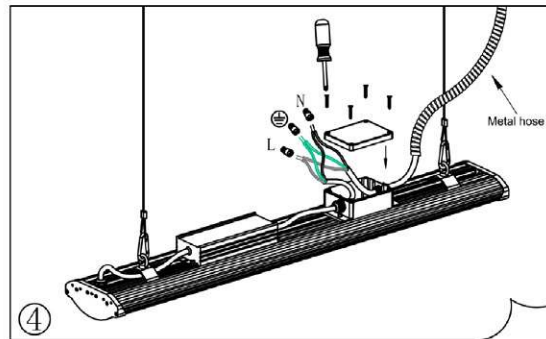
1. Use expansion screws to fix lifting rope on ceiling, press button to adjust its height(lifting rope and wire rope are optional) .



2. Rings installation: use wrench to tighten the nut of rings, adjust the spacing between the two rings



3. Connect rings of fixture with the hook of lifting rope.



4. Connect the wires respectively(L-black, N-white Ground wire-green), and then secure the waterproof junction box.

Tools Required

