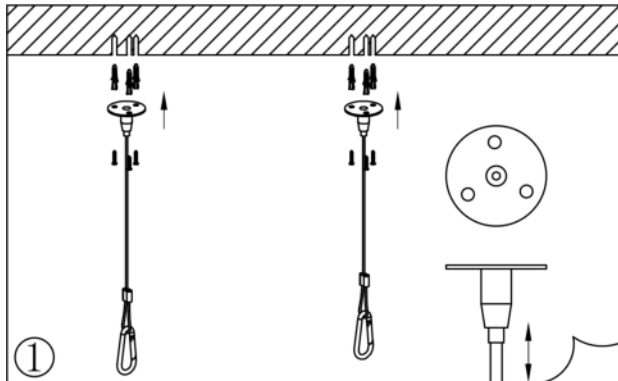


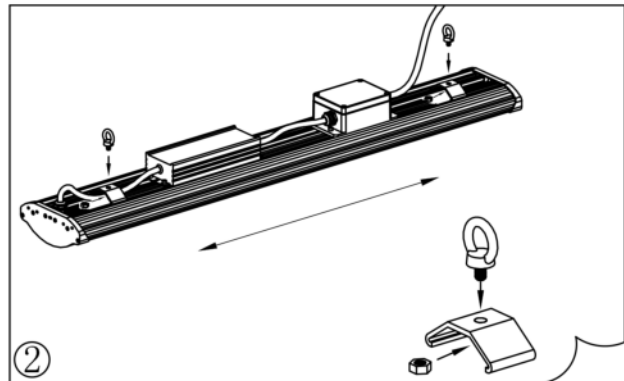
Installation and Electrical Connection



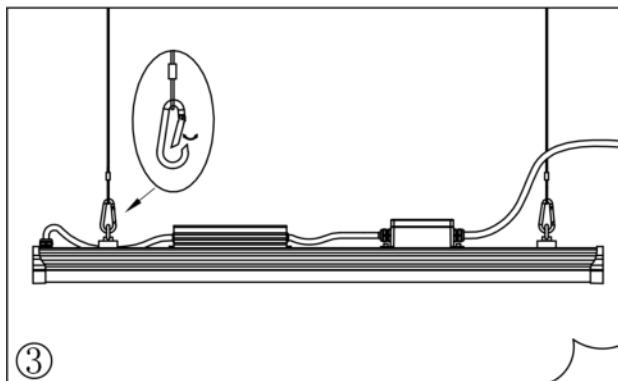
⚠ WARNING
RISK OF FIRE, ELECTRIC SHOCK OR PERSONAL INJURY
 Before installation, turn power off.



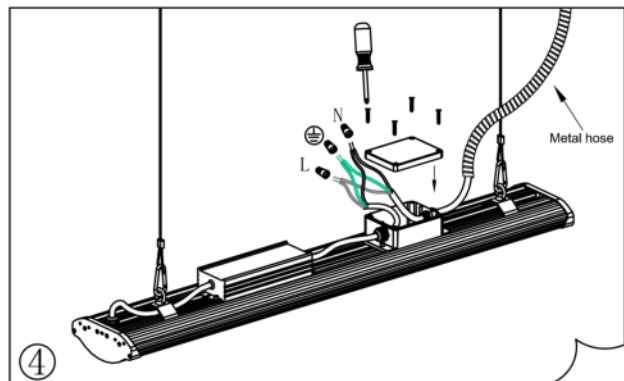
① Use expansion screws to fix lifting rope on ceiling, press button to adjust its height (lifting rope and wire rope are optional).



② Rings installation: use wrench to tighten the nut of rings, adjust the spacing between the two rings



③ Connect rings of fixture with the hook of lifting rope.



④ Connect the wires respectively (L-black, N-white Ground wire-green), and then secure the waterproof junction box.

Tools Required

